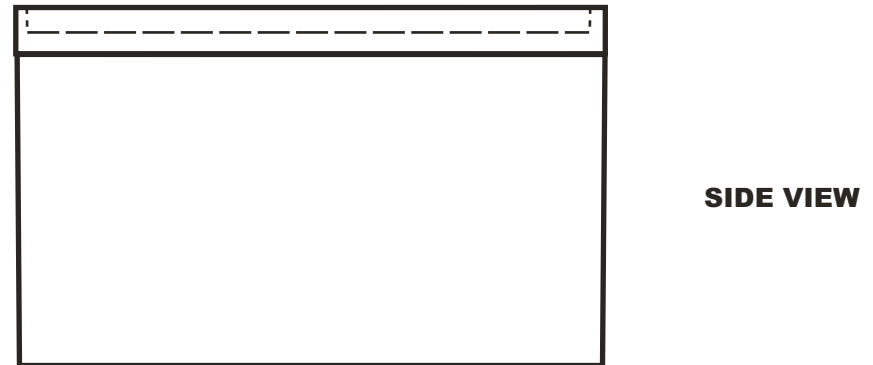
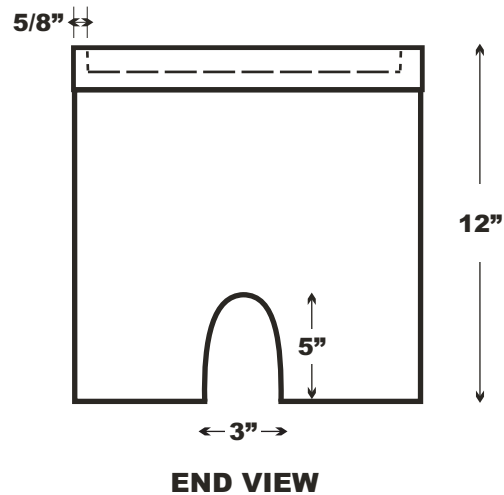
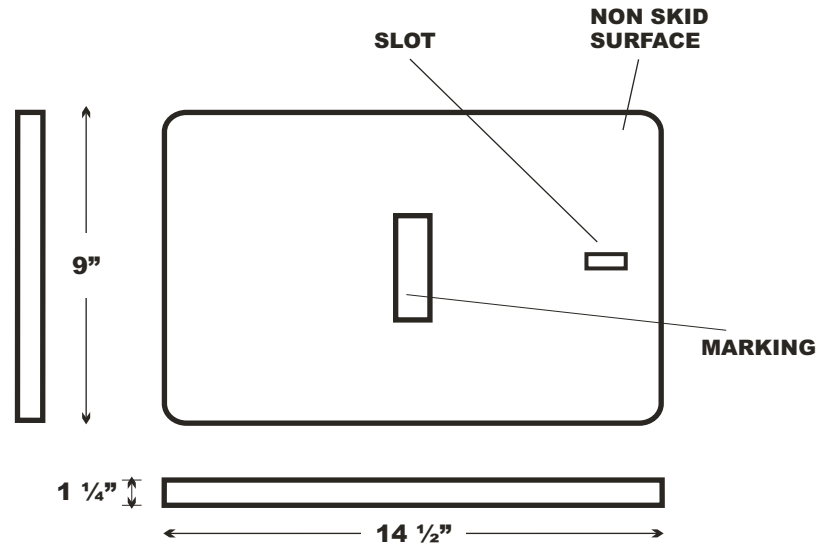
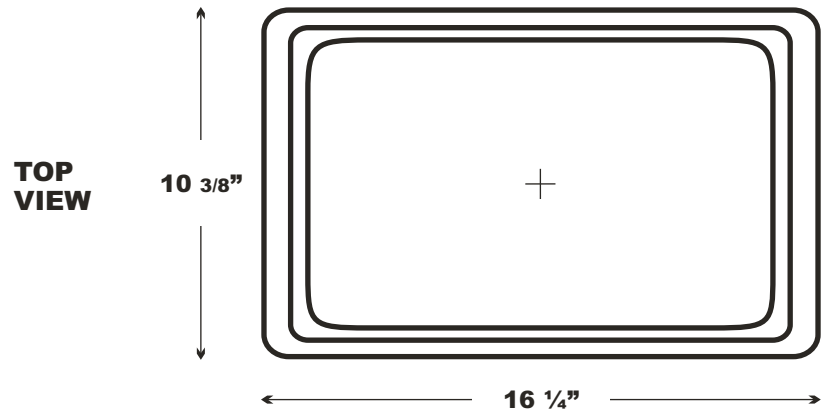



# 91412 Polymer Concrete Box & Cover

## COVER VIEW



<b>Part No. 91412 PC</b>		<b>Water Reference: #36, 3</b>	
<b>BODY: POLYMER CONCRETE</b>		 <p><b>Martin Enterprises</b> "Your Underground Enclosure Experts"</p>	<p>7231 Boulder Ave. #262 Highland, CA 92346 Tel: 951.928.8713 Fax: 951.928.4623</p>
<b>COVER: POLYMER CONCRETE</b>			
<b>Weight 38 lbs.</b>	<b>Tolerance +/- 1/8"</b>	<b>Weight Load 10,400k</b>	<p>This product design is the sole property of Martin Enterprises. This design is NOT to be altered unless written permission is allowed by Martin Enterprises only.</p>
<b>Date Jan 8 2010</b>	<b>File 91412 PC</b>		
		<p>WWW.MARTINFRP.COM</p>	