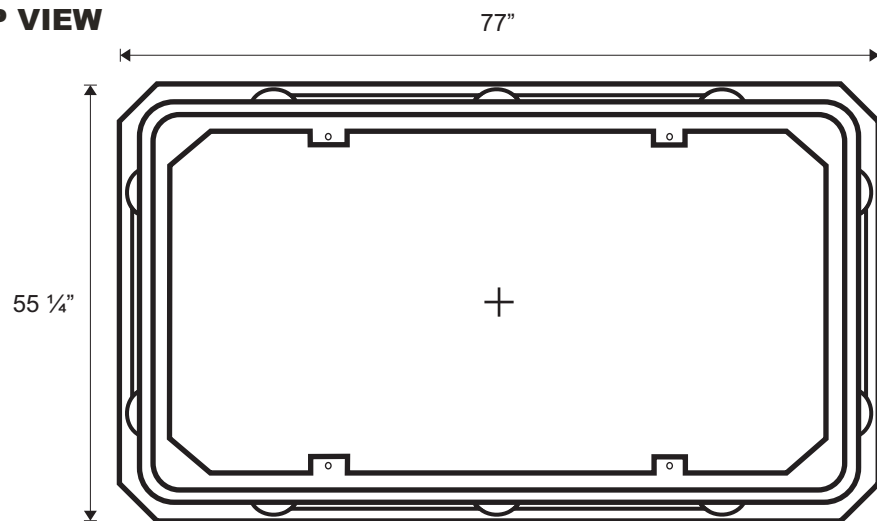
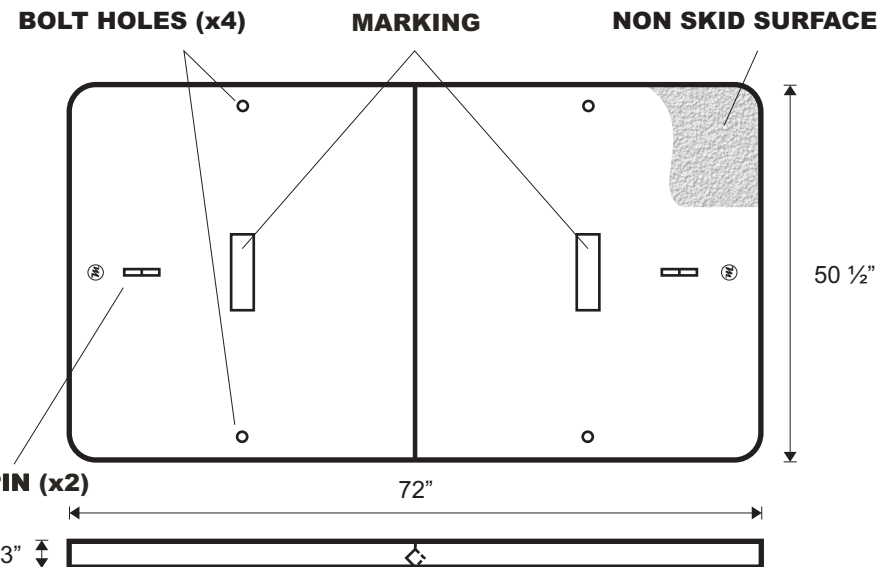


487248 FRP PC Ring & Cover

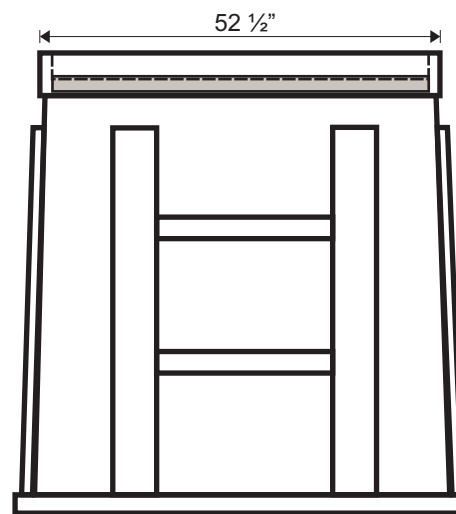
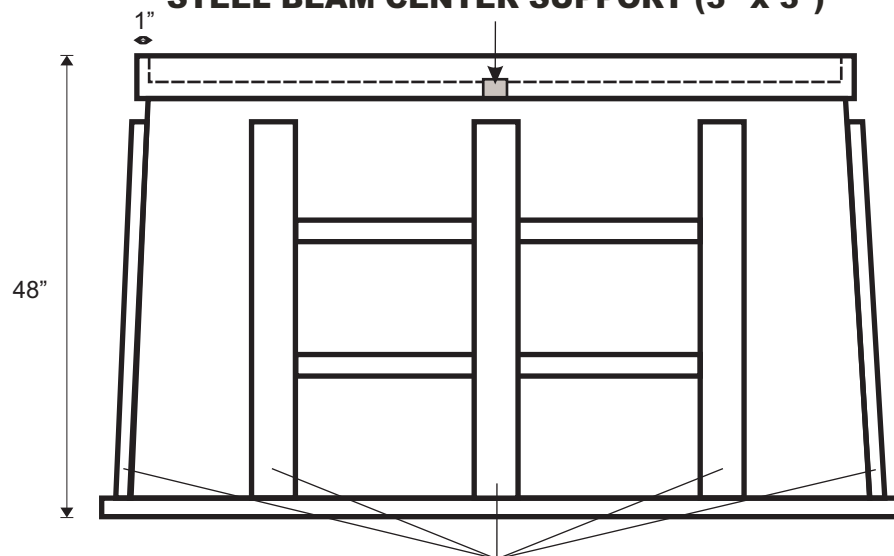
TOP VIEW



COVER VIEW



STEEL BEAM CENTER SUPPORT (3" x 3")



END VIEW

ANSI SCTE-77
Tier 15

Driveway, parking lot, and off roadway applications subject to occasional non-deliberate vehicular traffic.

Vertical
Design Load 15,000
Test Load 22,500

Lateral
Design Load 800 lbs/sqft.
Test Load 1200 lbs/sqft.

SIDE VIEW

VERTICAL REINFORCEMENTS

Part No. 487248 FRP PC Ring and Cover		
BODY: FRP		
COVER: POLYMER CONCRETE		
Weight 1200 lbs.	Tolerance +/- 1/8"	Tier 15
Date July 8 2010	File 487248 FRP	



Martin Enterprises
"Your Underground Enclosure Experts"

WWW.MARTINFRP.COM

7231 Boulder Ave. #262
Highland, CA 92346
Tel: 909.967.7910
Fax: 951.928.4623

This product design is the sole property of Martin Enterprises. This design is NOT to be altered unless written permission is allowed by Martin Enterprises only.