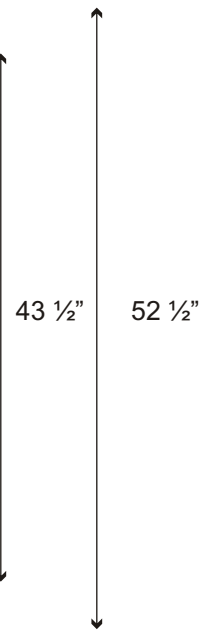
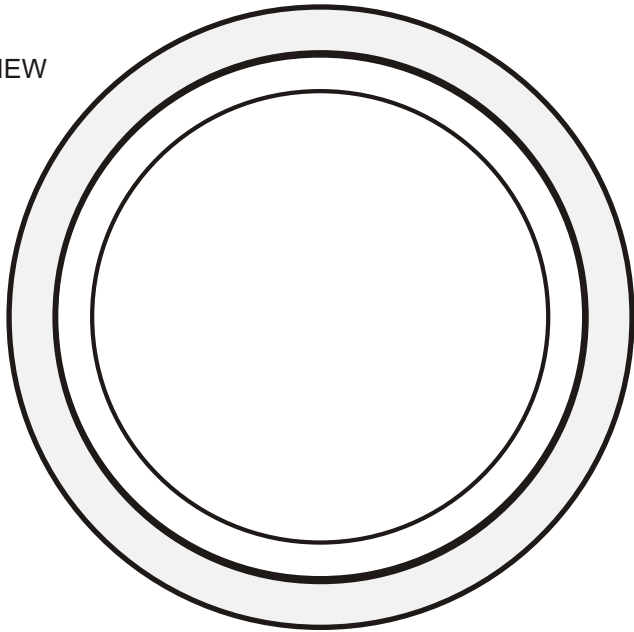
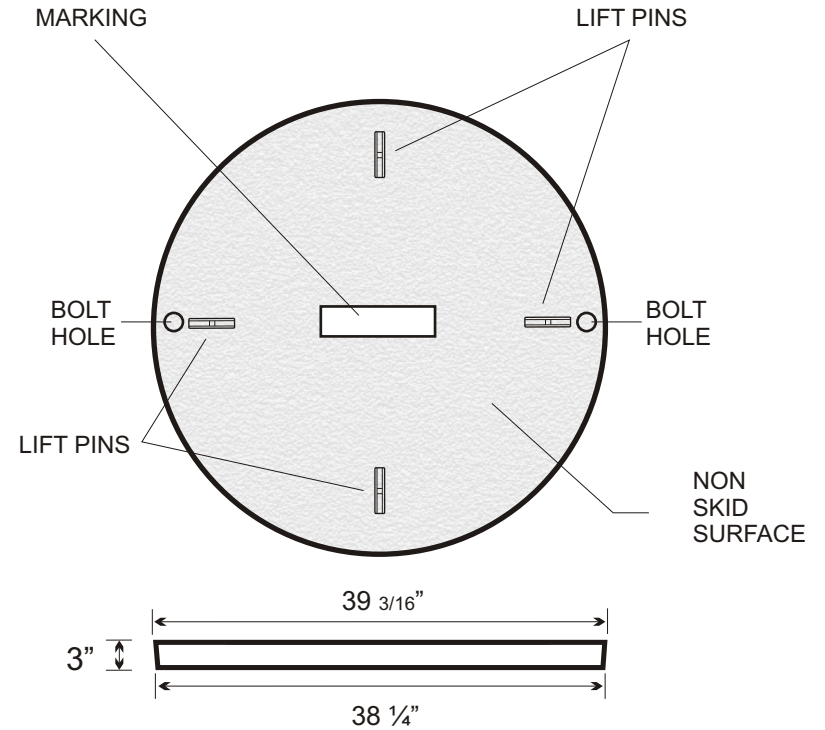


# 3900 FRP PC Ring & Cover

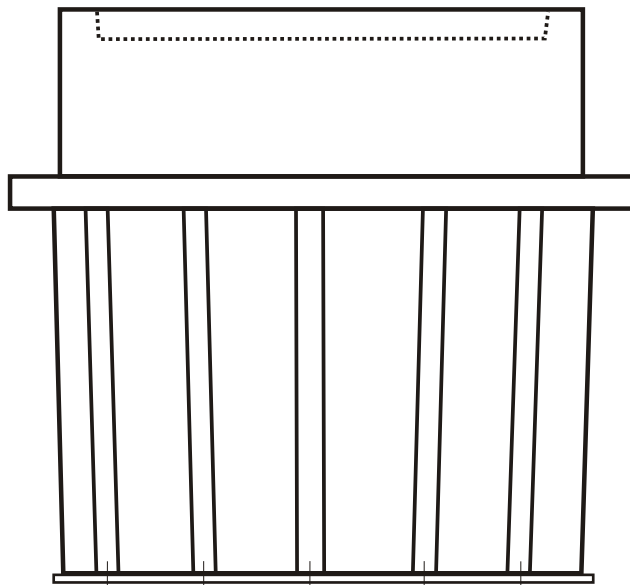
TOP VIEW



COVER VIEW



SIDE VIEW



VERTICAL SUPPORTS

Part No. 3900 FRP		
BODY: FRP		
COVER: POLYMER CONCRETE		
Weight 350 lbs.	Tolerance +/- 1/8"	Weight Load 20k
Date July 8 2009	File 3900 FRP PC	



**Martin Enterprises**  
"Your Underground Enclosure Experts"

[WWW.MARTINFRP.COM](http://WWW.MARTINFRP.COM)

7231 Boulder Ave. #262  
Highland, CA 92346  
Tel: 909.967.7910  
Fax: 951.928.4623

This product design is the sole property of Martin Enterprises. This design is NOT to be altered unless written permission is allowed by Martin Enterprises only.