



**Martin Enterprises**

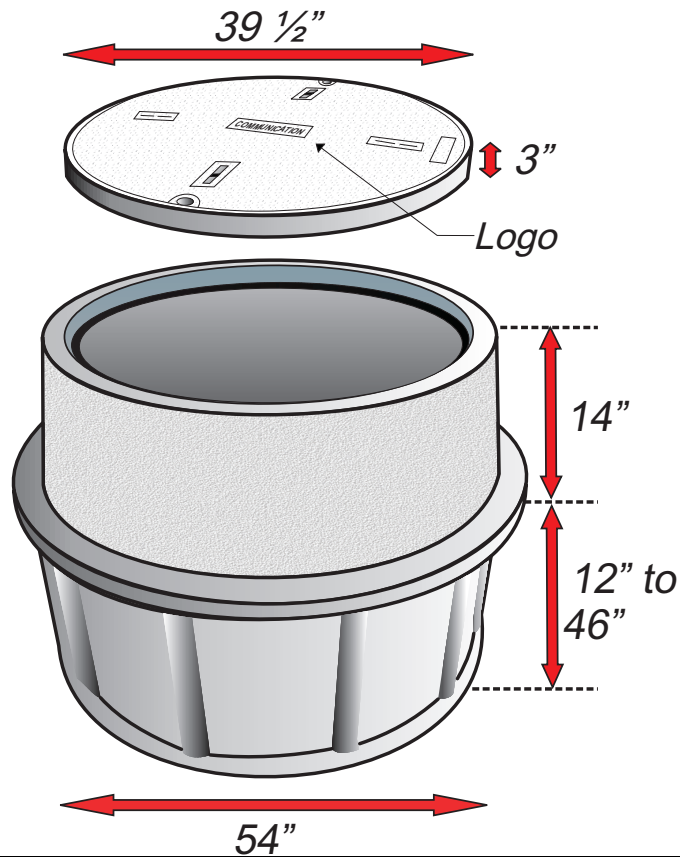
*"Your Underground Enclosure Experts"*

## Underground Utility Enclosure

**Part No. 3900 FRP**

### Features

- Lighter than concrete
- Excellent chemical and U.V. stability
- Vertical load rating—20K
- Smooth interior surface



Product Description	Part Number	Height	Weight
3900 FRP PC Ring & Cover	3900FRP	12" to 46"	350 lbs.