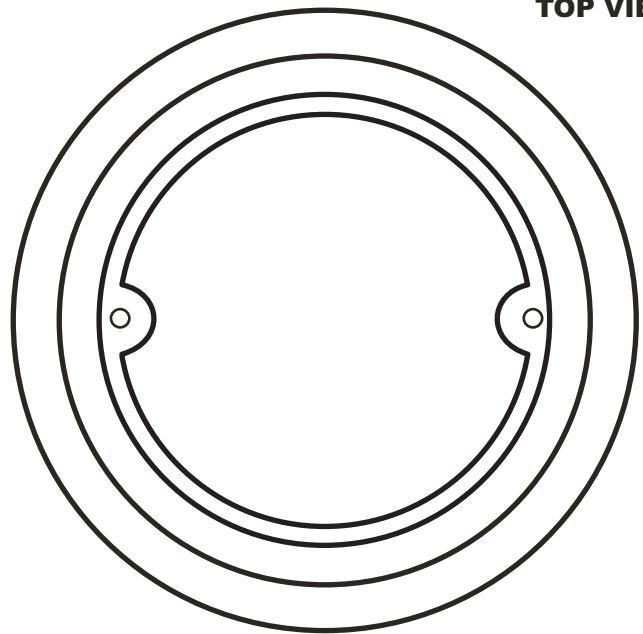
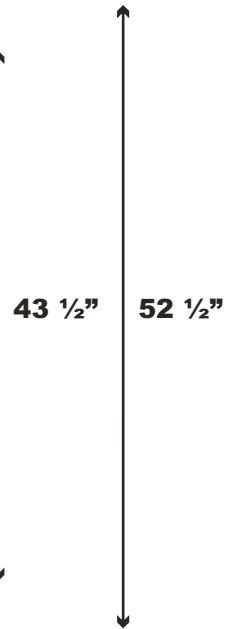


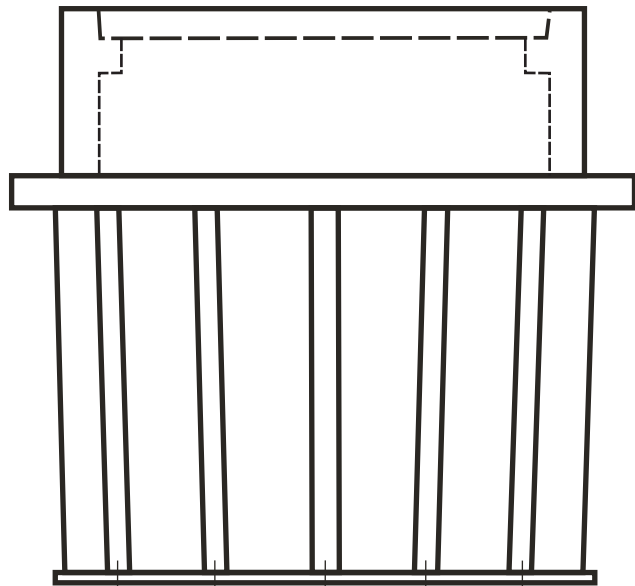
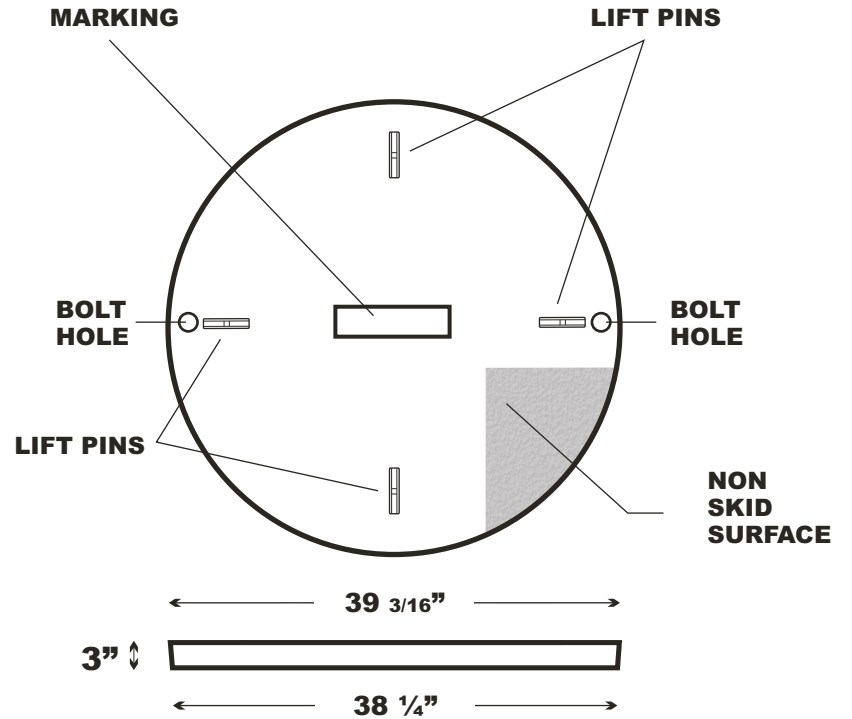
3900 FRP PC Ring & Cover



TOP VIEW



COVER VIEW



14"

SIDE VIEW

12" TO
46"

VERTICAL SUPPORTS

Part No. 3900 FRP			
BODY: FRP			
COVER: POLYMER CONCRETE			
Weight 350 lbs.	Tolerance +/- 1/8"	Weight Load 20k	
Date July 8 2009	File 3900 FRP PC		



Martin Enterprises
"Your Underground Enclosure Experts"

WWW.MARTINFRP.COM

7231 Boulder Ave. #262
Highland, CA 92346
Tel 951.928.8713
Fax: 951.928.4623

This product design is the sole property of Martin Enterprises. This design is NOT to be altered unless written permission is allowed by Martin Enterprises only.