



Martin Enterprises

"Your Underground Enclosure Experts"

Underground Utility Enclosure

Part No. 366018 PC / 366036 PC

36 x 60 x 18 or 36 Polymer Concrete Box & Cover

Features

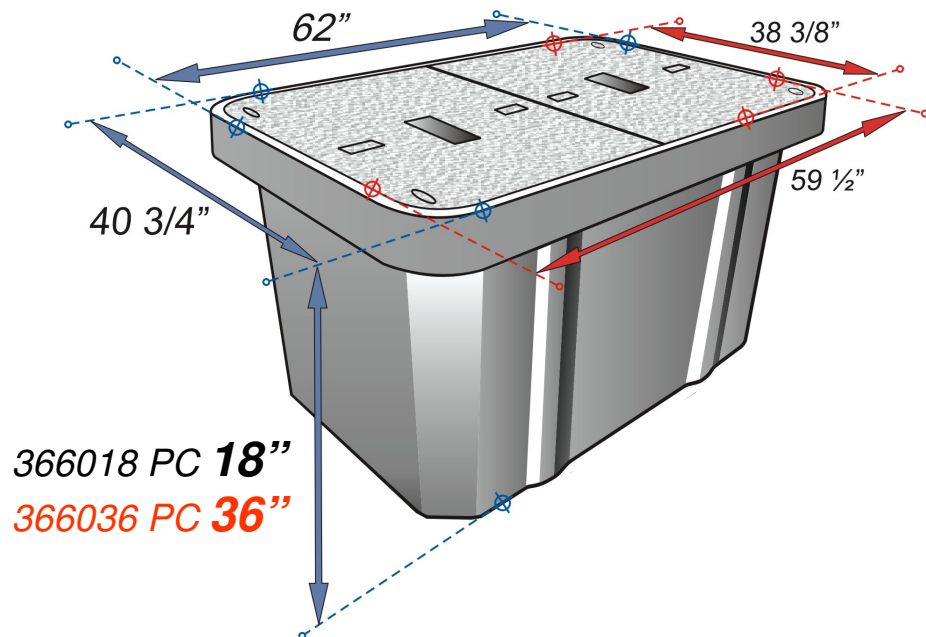
Meets or Exceeds Western Underground 3.6 Standards

Excellent chemical and U.V. stability

Smooth Interior and Exterior Surface

Optional Accessories: Two Piece Cover / Cable Racks / Cable Retainers / Cable Hooks / EMS

Hardware: Hex Head Bolts



366018 PC 18"
366036 PC 36"

Product	Part Number	Weight
3660/18 PC Ring & Cover	366018PC	650 lbs.
3660/36 PC Ring & Cover	366036PC	700 lbs.

www.martinfrp.com