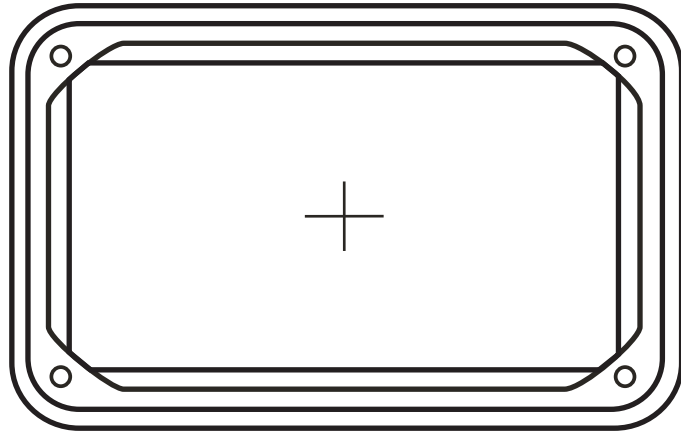
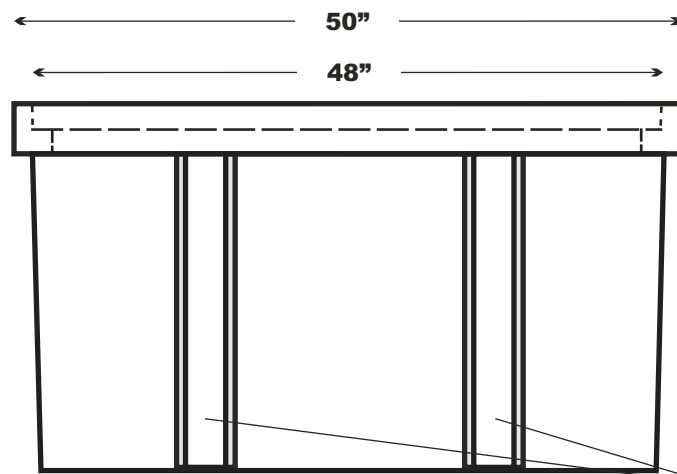
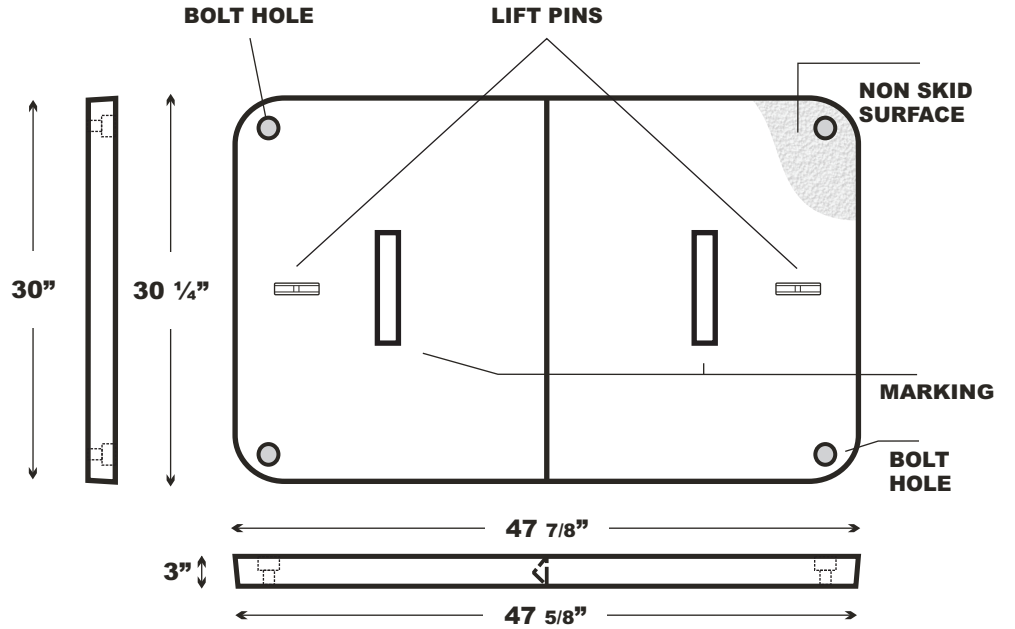


304836 RFRP PC Ring & Cover 2 Piece Cover

TOP VIEW

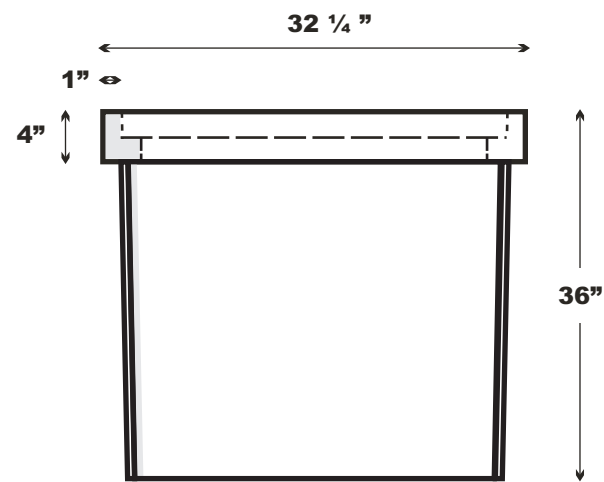
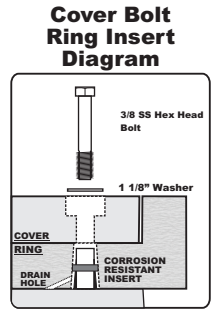


COVER VIEW



SIDE VIEW

VERTICAL REINFORCEMENTS



END VIEW

Part No. 304836 RFRP PC		
BODY: FRP		
COVER: POLYMER CONCRETE		
Weight 385 lbs.	Tolerance +/- 1/8"	Weight Load 20k
Date July 8 2009	File 304836RFRP PC	



Martin Enterprises
"Your Underground Enclosure Experts"

7231 Boulder Ave. #262
Highland, CA 92346
Tel 951.928.8713
Fax: 951.928.4623

WWW.MARTINFRP.COM

This product design is the sole property of Martin Enterprises. This design is NOT to be altered unless written permission is allowed by Martin Enterprises only.