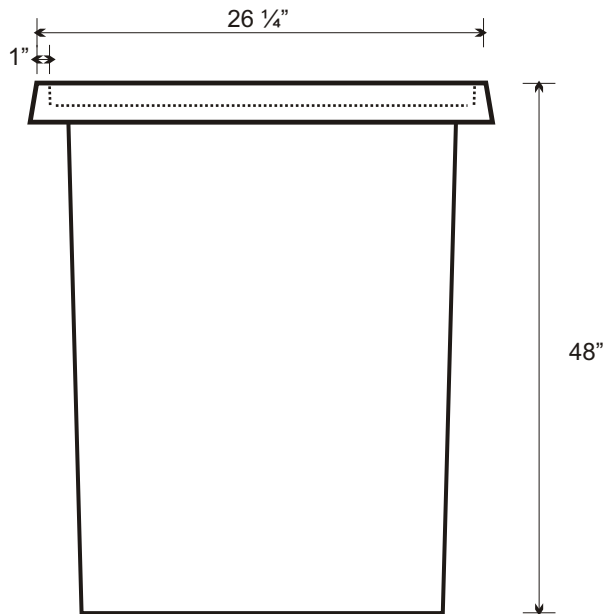
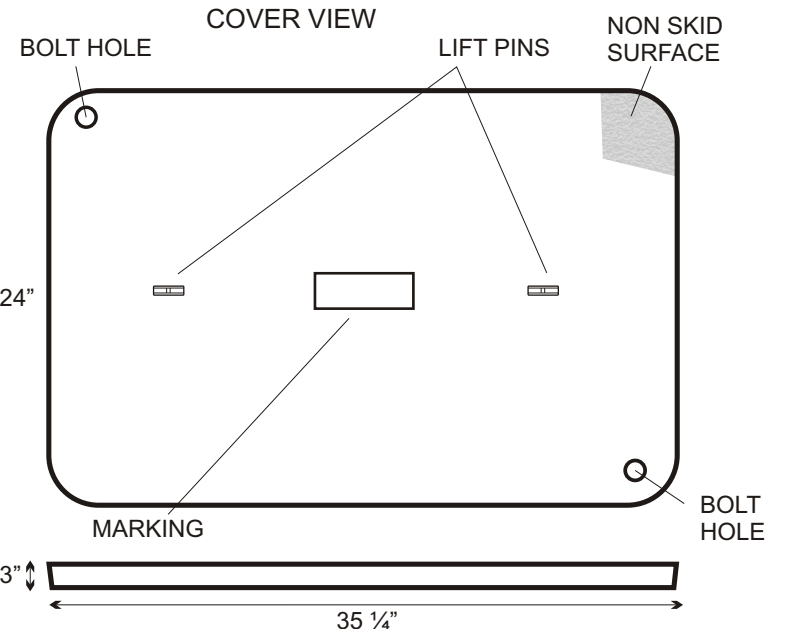
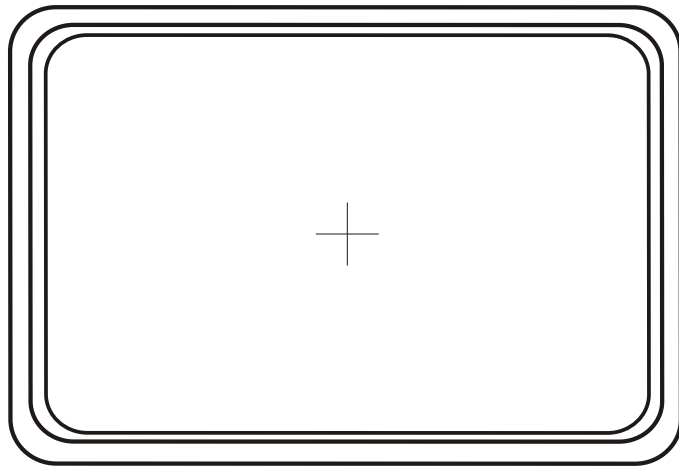
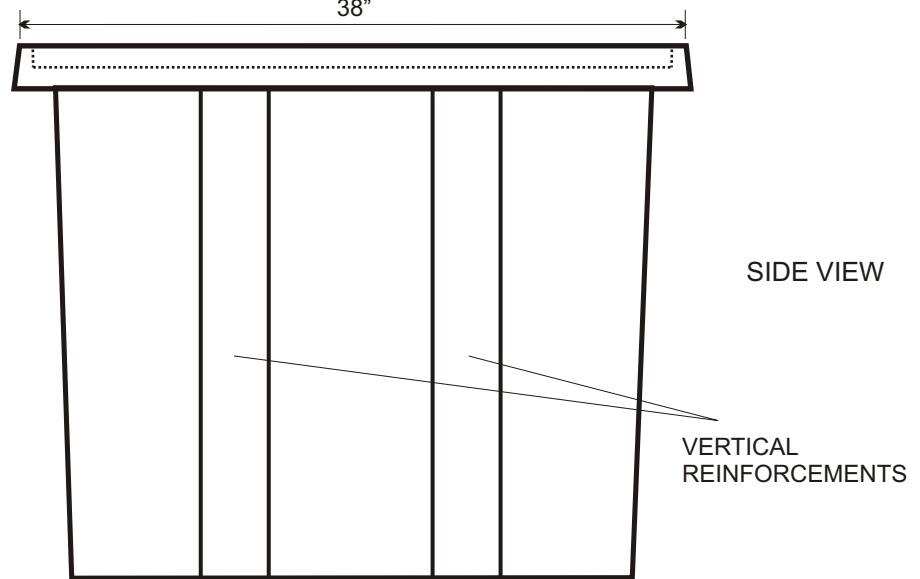


243648 RFRP PC Ring and Cover

TOP VIEW



END VIEW



SIDE VIEW

Part No. 243648 RFRP PC		
BODY: FRP		
COVER: POLYMER CONCRETE		
Weight 260 lbs.	Tolerance +/- 1/8"	Weight Load 20k
Date July 8 2009	File 243648RFRP PC	



Martin Enterprises
"Your Underground Enclosure Experts"

WWW.MARTINFRP.COM

7231 Boulder Ave. #262
Highland, CA 92346
Tel: 909.967.7910
Fax: 951.928.4623

This product design is the sole property of Martin Enterprises. This design is NOT to be altered unless written permission is allowed by Martin Enterprises only.