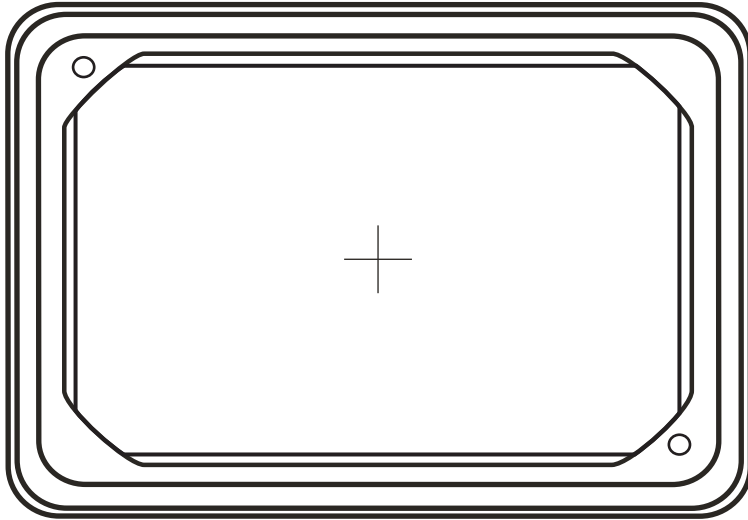


243630 Polymer Concrete Box & Cover

TOP VIEW



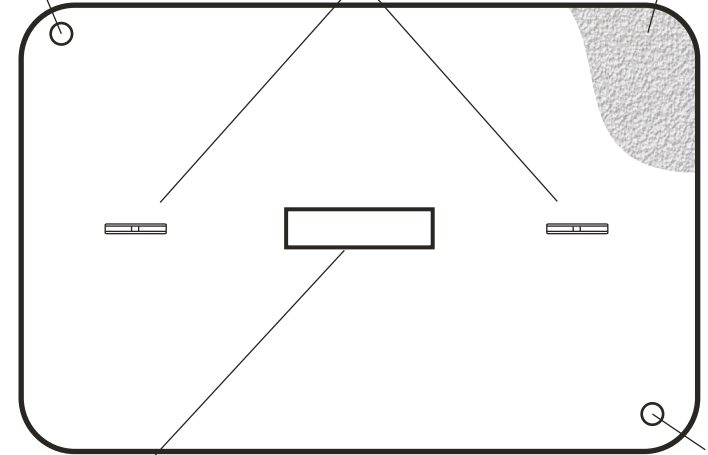
BOLT HOLE

COVER VIEW
LIFT PINS

NON SKID SURFACE



24 1/4"



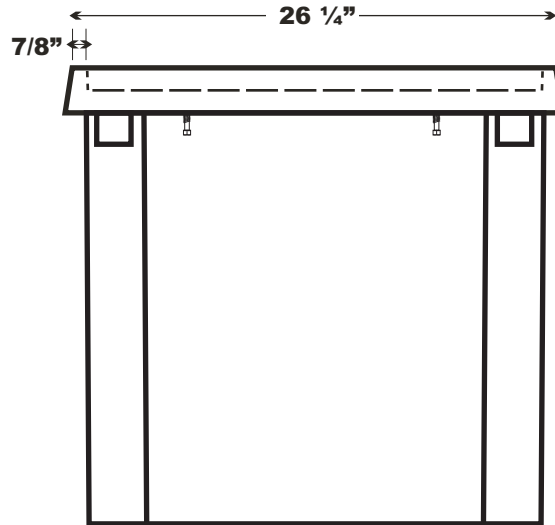
MARKING

BOLT HOLE

35 1/2"

3"

35"



26 1/4"

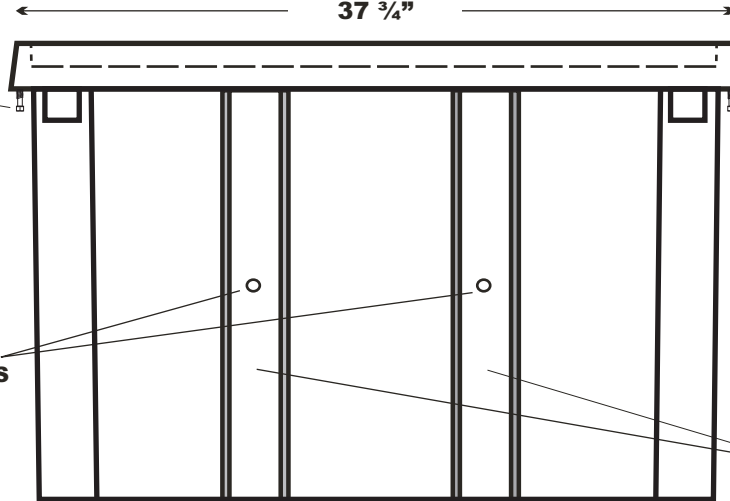
7/8"

30"

END VIEW

MATERIAL: POLYMER CONCRETE
STANDARD COLOR: GRAY
OTHER COLORS AVAILABLE

LIFTING BOLT



LIFTING BOLT

3/8" INSETS

SIDE VIEW

37 3/4"

REINFORCING RIBS

Part No. 243630 PC		
BODY: POLYMER CONCRETE		
COVER: POLYMER CONCRETE		
Weight 360 lbs.	Tolerance +/- 1/8"	Weight Load 20k
Date July 8 2009	File 243630 PC	



Martin Enterprises
"Your Underground Enclosure Experts"

WWW.MARTINFRP.COM

7231 Boulder Ave. #262
Highland, CA 92346
Tel 951.928.8713
Fax: 951.928.4623

This product design is the sole property of Martin Enterprises. This design is NOT to be altered unless written permission is allowed by Martin Enterprises only.