



Martin Enterprises

"Your Underground Enclosure Experts"

Underground Utility Enclosure

Part No. 243630 FRP / 243636 FRP / 243642 FRP

Features:

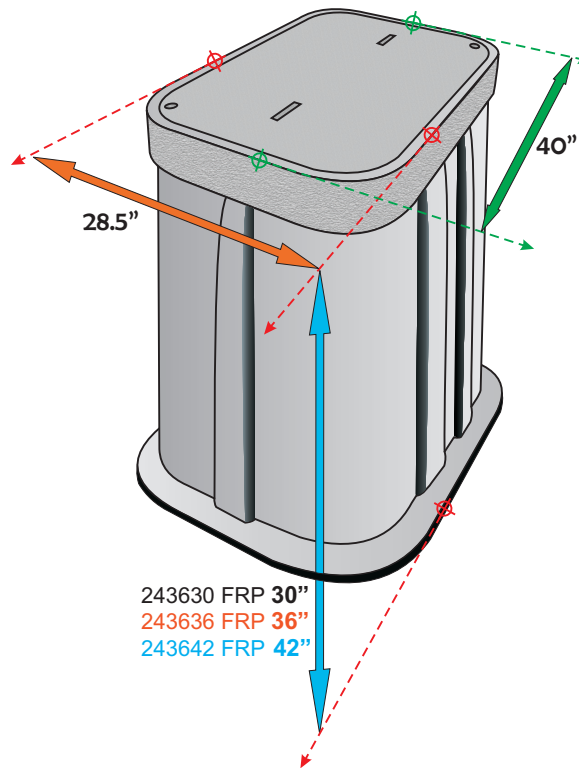
Lighter than concrete

Excellent chemical and U.V. stability

Vertical load rating—Up to 20,000 pounds

Smooth interior surface

Option: Cable Racks/Cable Retainers/Pull-rods/Mouse Holes/EMS Markers



Product Description	Part Number	Height	Weight
2436/30 FRP PC Ring & Cover	243630FRP	30"	240 lbs.
2436/36 FRP PC Ring & Cover	243636FRP	36"	260 lbs.
2436/42 FRP PC Ring & Cover	243642FRP	42"	335 lbs.

www.martinfo.com

7231 Boulder Ave. #262 Highland, CA 92346

Ph. (909) 967 7910
martinfo@sbcglobal.net

Fax (951) 928 4623