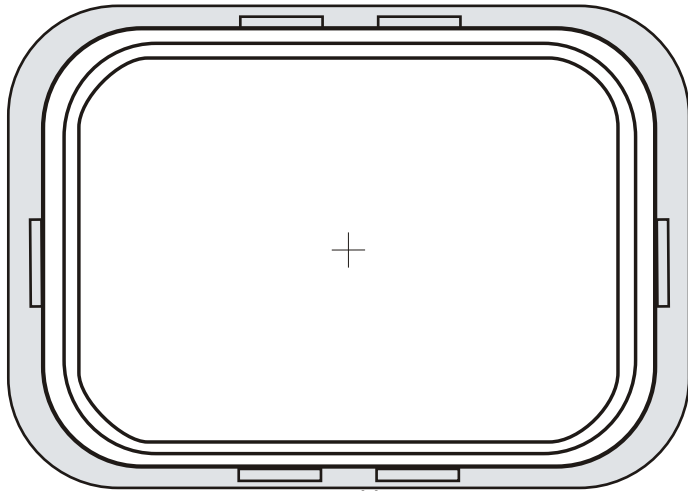
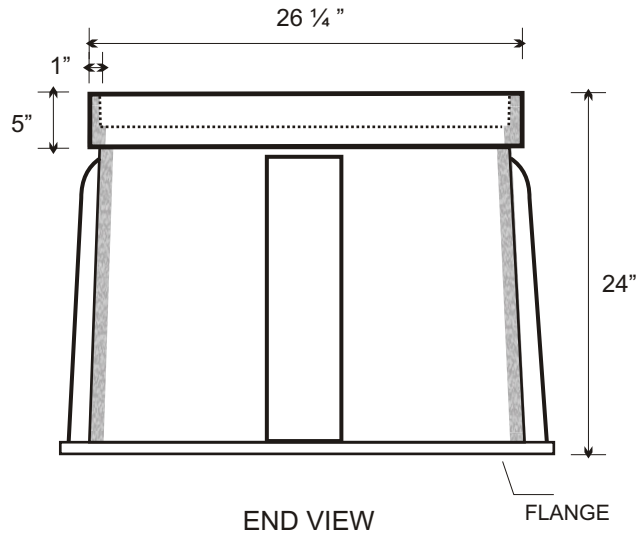
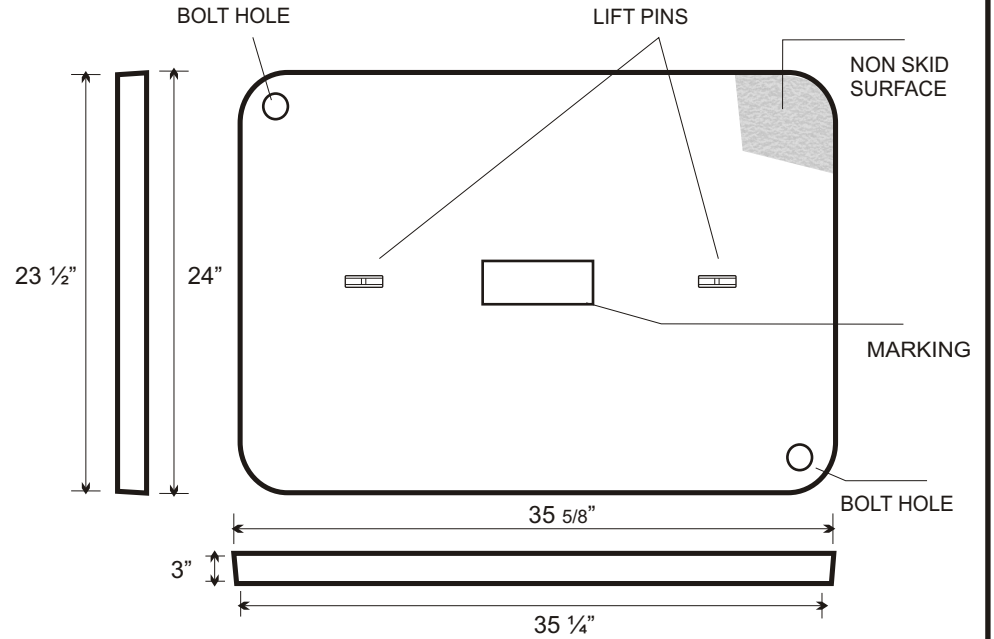


243624 FRP PC Ring & Cover

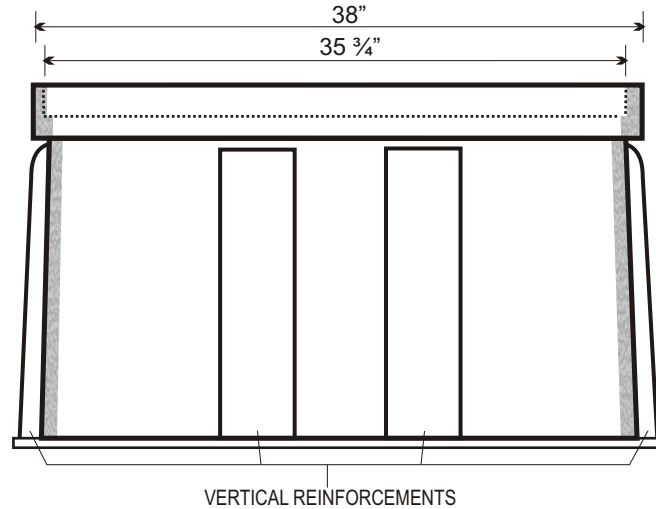
TOP VIEW



COVER VIEW



END VIEW



SIDE VIEW

| | | |
|-------------------------|--------------------|--------------------|
| Part No. 243624 FRP | | |
| BODY: FRP | | |
| COVER: POLYMER CONCRETE | | |
| Weight 220 lbs. | Tolerance +/- 1/8" | Weight Load 20k |
| Date July 8 2009 | File 243624FRP PC | |



Martin Enterprises
"Your Underground Enclosure Experts"

www.MARTINFRP.COM

7231 Boulder Ave. #262
Highland, CA 92346
Tel: 909.967.7910
Fax: 951.928.4623

This product design is the sole property of Martin Enterprises. This design is NOT to be altered unless written permission is allowed by Martin Enterprises only.