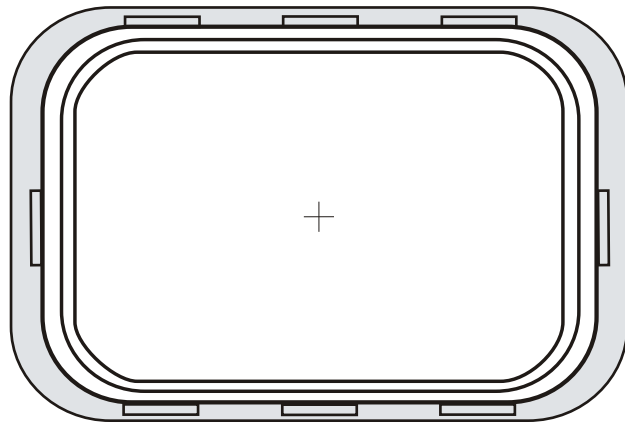
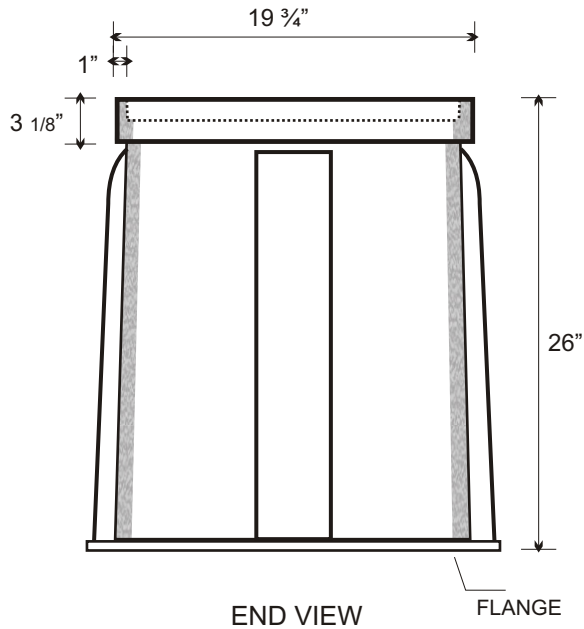
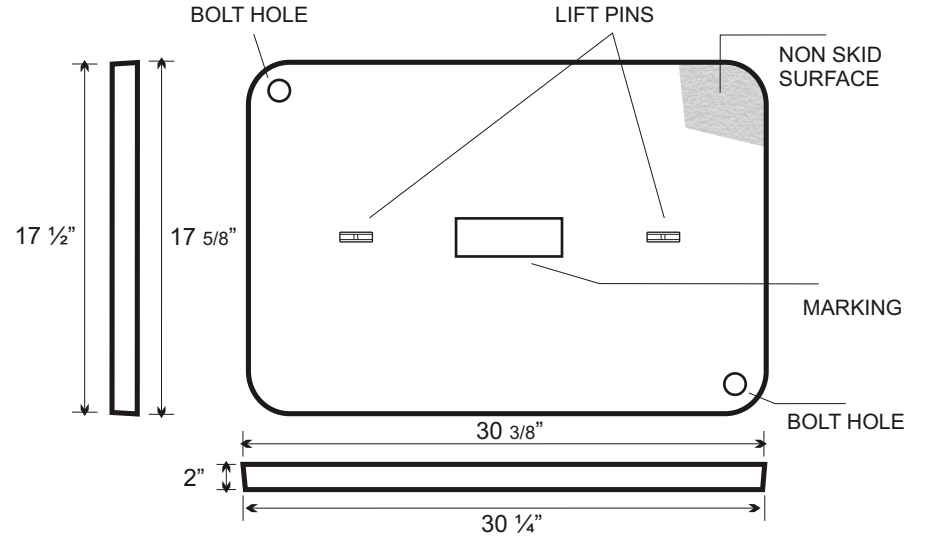


# 173026 FRP PC Ring & Cover

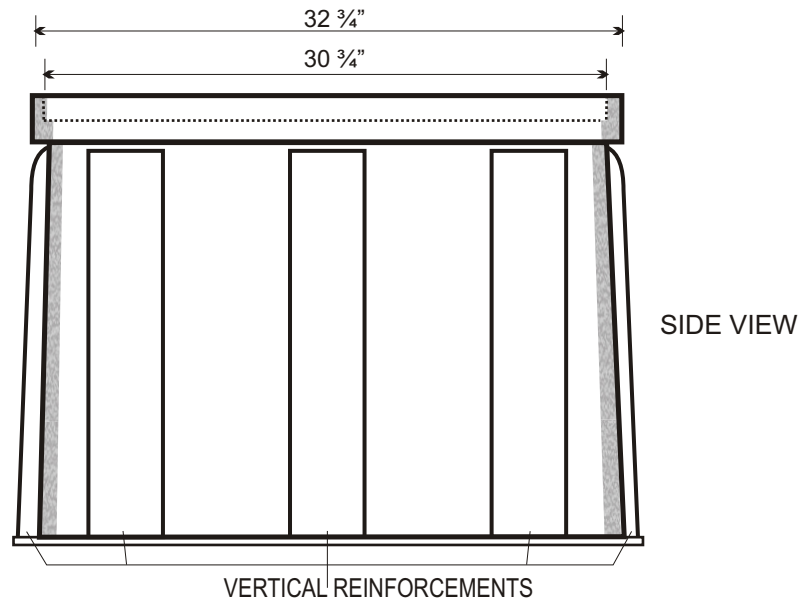
TOP VIEW



COVER VIEW



END VIEW



SIDE VIEW

|                         |                    |                    |
|-------------------------|--------------------|--------------------|
| Part No. 173026 FRP PC  |                    |                    |
| BODY: FRP               |                    |                    |
| COVER: POLYMER CONCRETE |                    |                    |
| Weight 145 lbs.         | Tolerance +/- 1/8" | Weight Load<br>20k |
| Date July 8 2009        | File 173026 FRP PC |                    |



**Martin Enterprises**  
"Your Underground Enclosure Experts"

www.MARTINFRP.COM

7231 Boulder Ave. #262  
Highland, CA 92346  
Tel: 909.967.7910  
Fax: 951.928.4623

This product design is the sole property of Martin Enterprises. This design is NOT to be altered unless written permission is allowed by Martin Enterprises only.