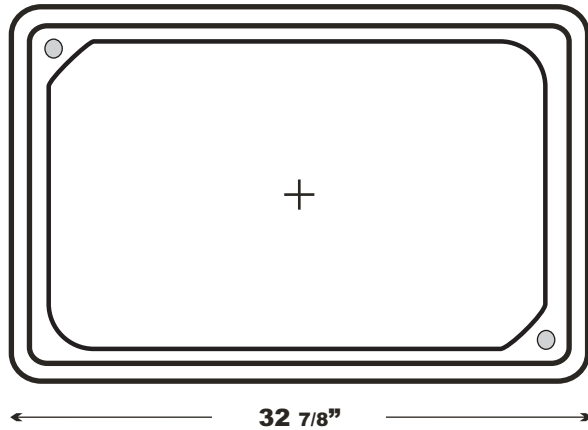


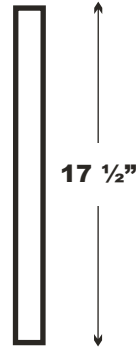
173024 Polymer Concrete Box & Cover

COVER VIEW

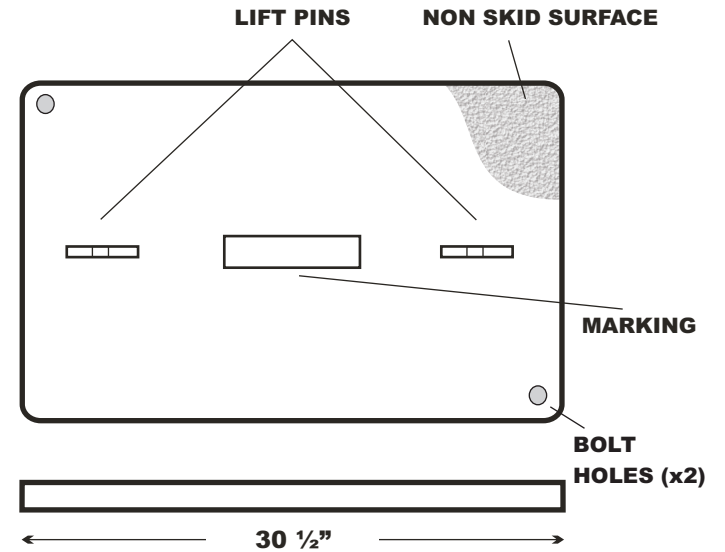
TOP VIEW



32 7/8"



17 1/2"



LIFT PINS

NON SKID SURFACE

MARKING

BOLT HOLES (x2)

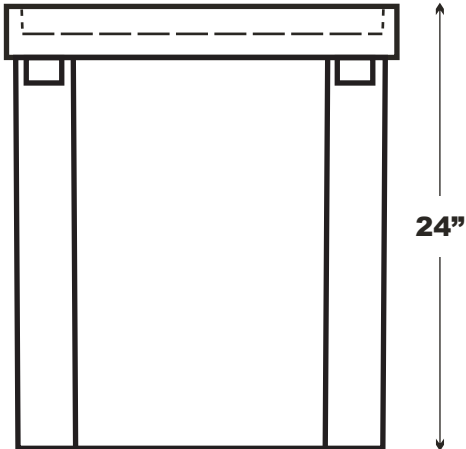
2"

30 1/2"



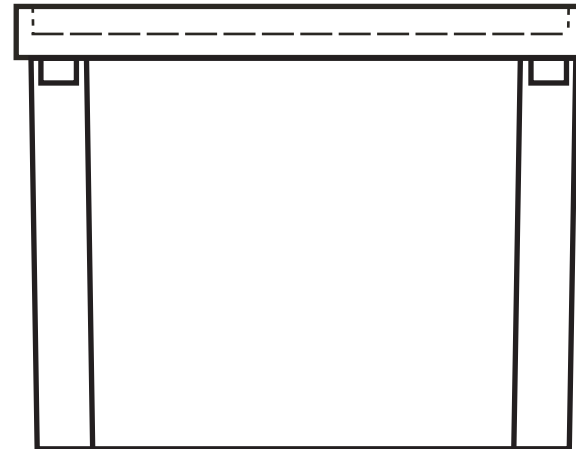
19 7/8"

1"



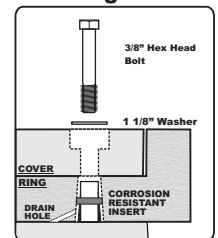
24"

END VIEW



SIDE VIEW

Cover Bolt Ring Insert Diagram



Part No. 173024 PC		
BODY: POLYMER CONCRETE		
COVER: POLYMER CONCRETE		
Weight 185 lbs.	Tolerance +/- 1/8"	Weight Load 20k
Date July 8 2009	File 173024 PC	



Martin Enterprises
"Your Underground Enclosure Experts"

WWW.MARTINFRP.COM

7231 Boulder Ave. #262
Highland, CA 92346
Tel 951.928.8713
Fax: 951.928.4623

This product design is the sole property of Martin Enterprises. This design is NOT to be altered unless written permission is allowed by Martin Enterprises only.