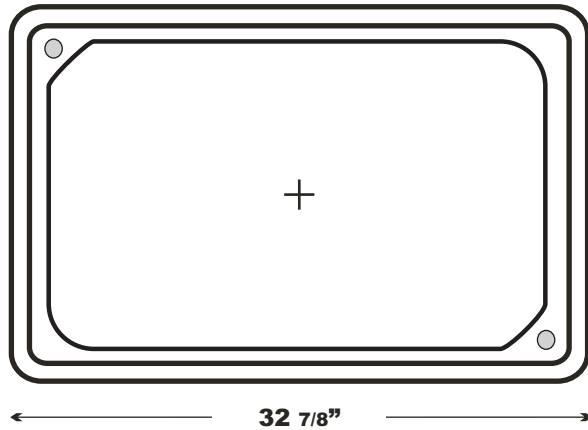


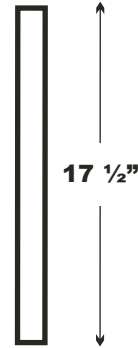
# 173018 Polymer Concrete Box & Cover

## COVER VIEW

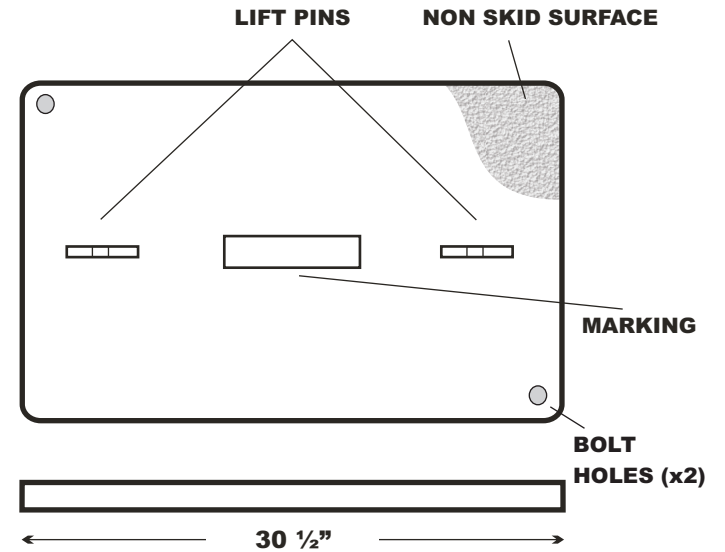
TOP VIEW



32 7/8"



17 1/2"



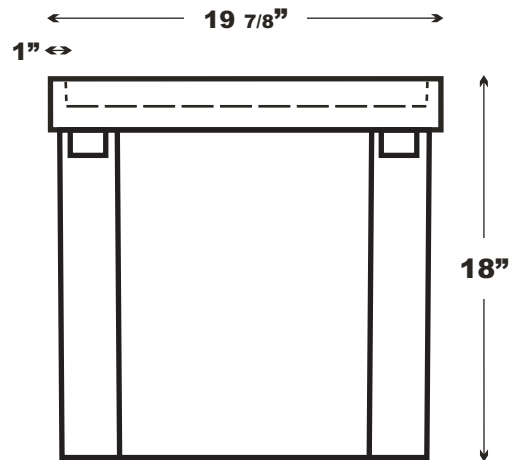
LIFT PINS

NON SKID SURFACE

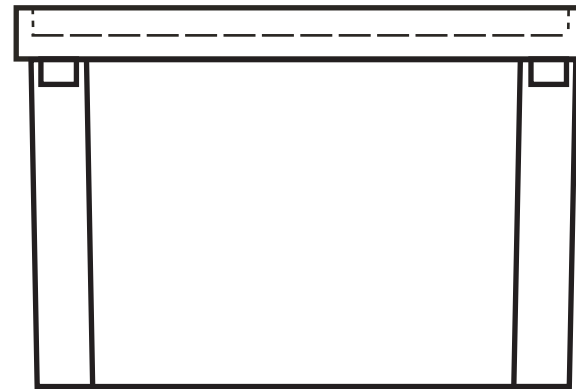
MARKING

BOLT HOLES (x2)

30 1/2"

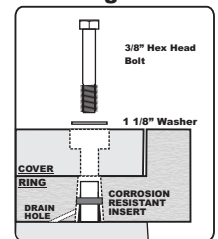


END VIEW



SIDE VIEW

Cover Bolt Ring Insert Diagram



<b>Part No. 173018 PC</b>		
<b>BODY: POLYMER CONCRETE</b>		
<b>COVER: POLYMER CONCRETE</b>		
<b>Weight 165 lbs.</b>	<b>Tolerance +/- 1/8"</b>	<b>Weight Load 20k</b>
<b>Date July 8 2009</b>	<b>File 173018 PC</b>	



**Martin Enterprises**  
"Your Underground Enclosure Experts"

WWW.MARTINFRP.COM

7231 Boulder Ave. #262  
Highland, CA 92346  
Tel 951.928.8713  
Fax: 951.928.4623

This product design is the sole property of Martin Enterprises. This design is NOT to be altered unless written permission is allowed by Martin Enterprises only.