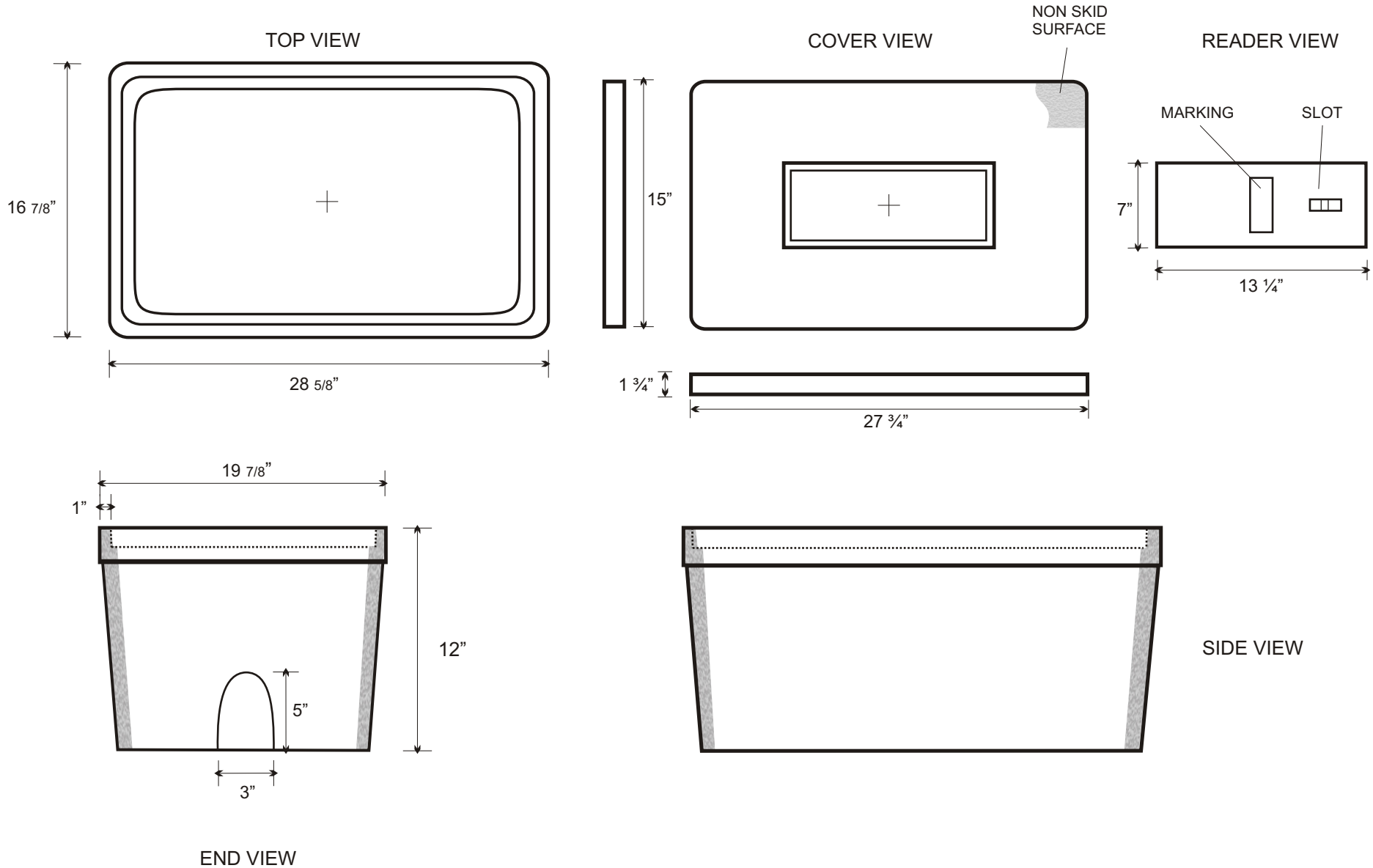


172812 FRP PC Ring and Cover



Part No. 172812 FRP		
BODY: FRP		
COVER: POLYMER CONCRETE		
Weight 110 lbs.	Tolerance +/- 1/8"	Weight Load 20k
Date July 8 2009	File 172812 FRP PC	



Martin Enterprises
 "Your Underground Enclosure Experts"

7231 Boulder Ave. #262
 Highland, CA 92346
 Tel: 909.967.7910
 Fax: 951.928.4623

WWW.MARTINFRP.COM

This product design is the sole property of Martin Enterprises. This design is NOT to be altered unless written permission is allowed by Martin Enterprises only.