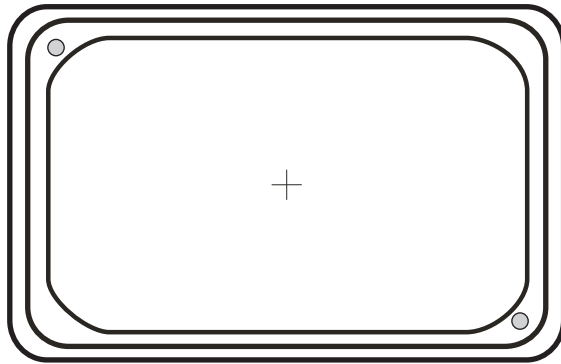
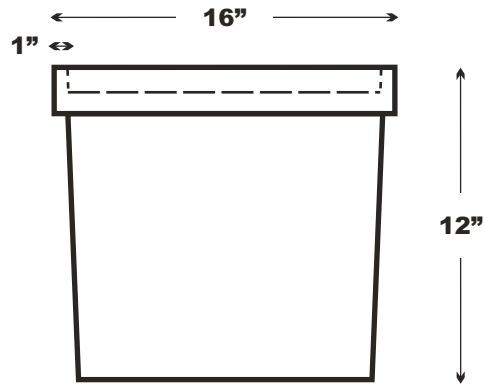
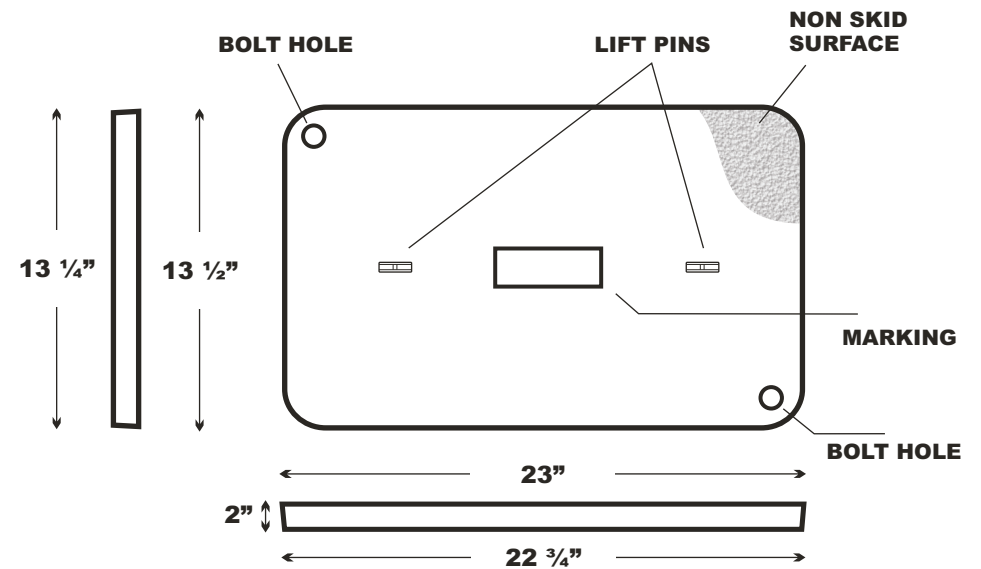


# 132412 Polymer Concrete Box & Cover

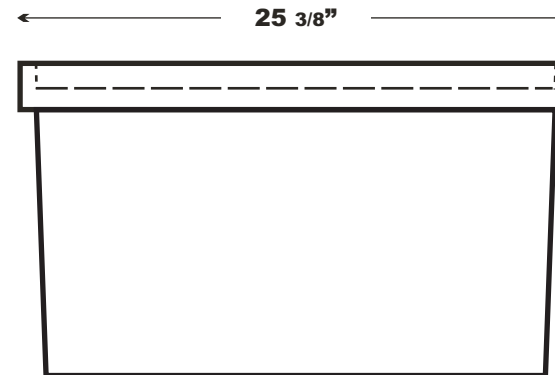
**TOP VIEW**



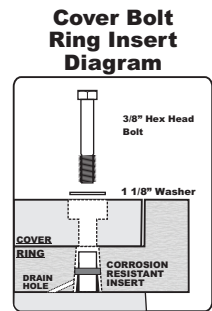
**COVER VIEW**



**END VIEW**



**SIDE VIEW**



<b>Part No. 132412 PC</b>		
<b>BODY: POLYMER CONCRETE</b>		
<b>COVER: POLYMER CONCRETE</b>		
<b>Weight 95 lbs.</b>	<b>Tolerance +/- 1/8"</b>	<b>Weight Load 20k</b>
<b>Date July 8 2009</b>	<b>File 132412 PC</b>	



**Martin Enterprises**  
"Your Underground Enclosure Experts"

WWW.MARTINFRP.COM

7231 Boulder Ave. #262  
Highland, CA 92346  
Tel 951.928.8713  
Fax: 951.928.4623

This product design is the sole property of Martin Enterprises. This design is NOT to be altered unless written permission is allowed by Martin Enterprises only.