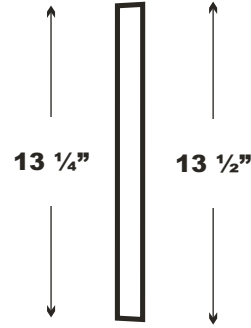
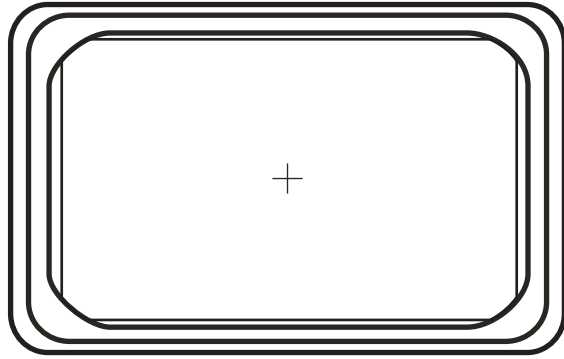
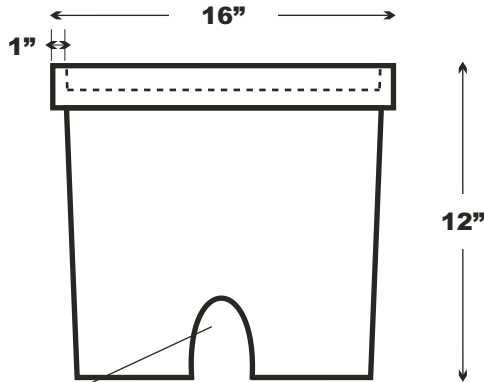
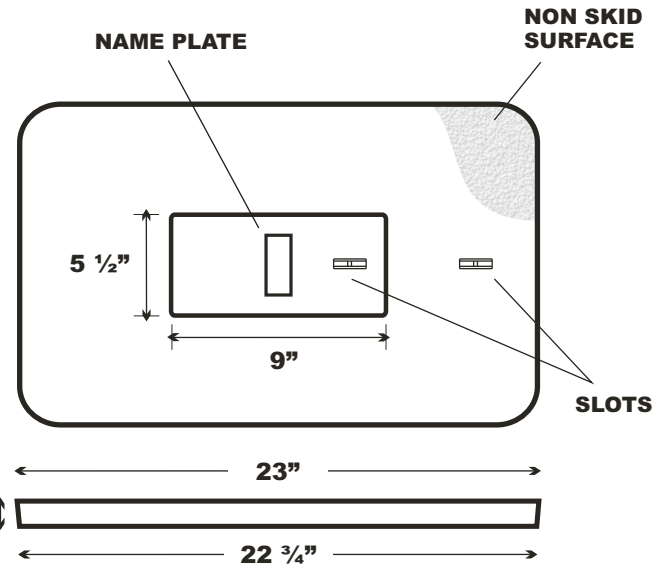


# 132412 Polymer Concrete Box & Cover w/Reader Lid

**TOP VIEW**



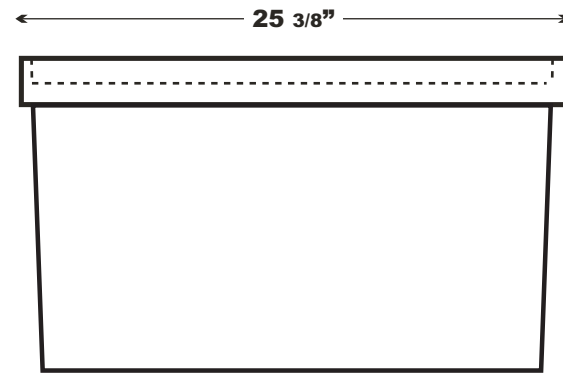
**COVER VIEW**



**MOUSE HOLE**

**END VIEW**

**SIDE VIEW**



<b>Part No. 132412 PC w/Reader Lid</b>			
<b>BODY: POLYMER CONCRETE</b>			
<b>COVER: POLYMER CONCRETE</b>			
<b>Weight 95 lbs.</b>	<b>Tolerance +/- 1/8"</b>	<b>Weight Load 10,400k</b>	
<b>Date July 8 2009</b>	<b>File 132412 PC</b>		



**Martin Enterprises**  
 "Your Underground Enclosure Experts"  
 WWW.MARTINFRP.COM

7231 Boulder Ave. #262  
 Highland, CA 92346  
 Tel 951.928.8713  
 Fax: 951.928.4623  
 This product design is the sole property of Martin Enterprises. This design is NOT to be altered unless written permission is allowed by Martin Enterprises only.