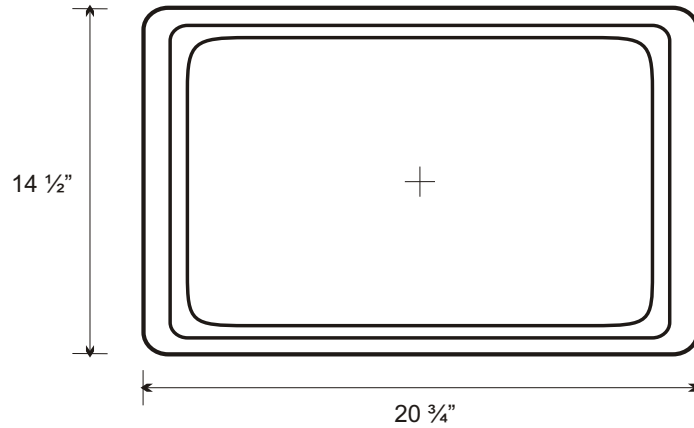
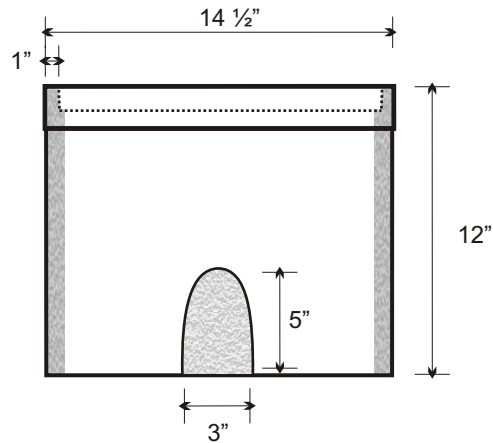
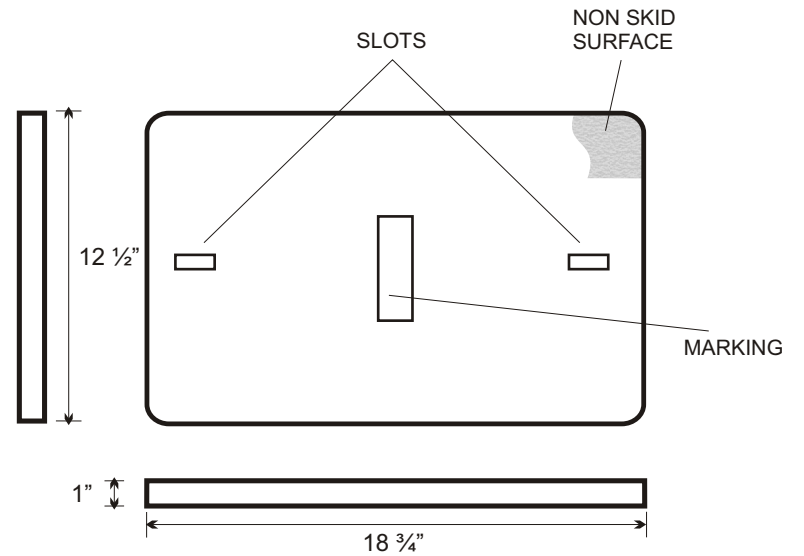


# 111812 FRP PC Ring and Cover

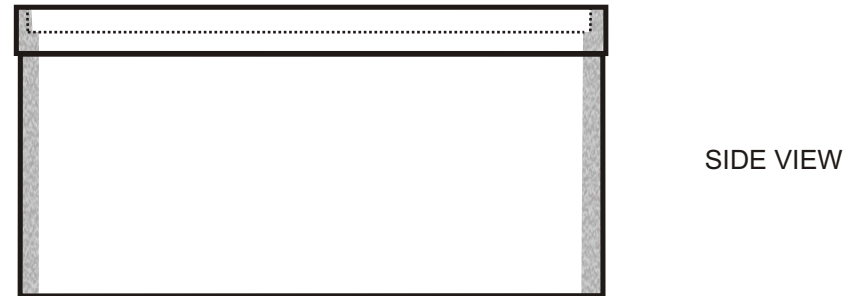
TOP VIEW



COVER VIEW



END VIEW



SIDE VIEW

Part No. 111812 FRP		
BODY: FRP		
COVER: POLYMER CONCRETE		
Weight 40 lbs.	Tolerance +/- 1/8"	Weight Load
Date July 8 2009	File 111812 FRP PC	



**Martin Enterprises**  
"Your Underground Enclosure Experts"

WWW.MARTINFRP.COM

7231 Boulder Ave. #262  
Highland, CA 92346  
Tel: 909.967.7910  
Fax: 951.928.4623

This product design is the sole property of Martin Enterprises. This design is NOT to be altered unless written permission is allowed by Martin Enterprises only.