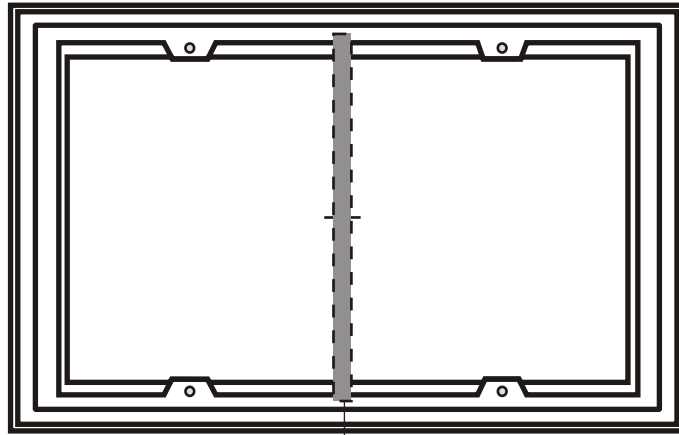


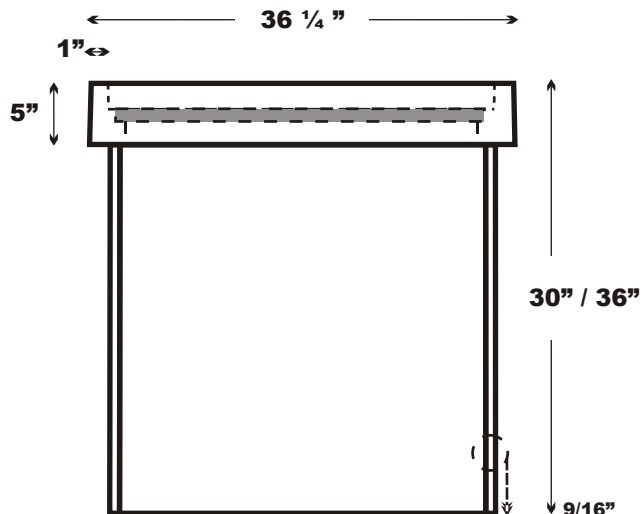
3060 Polymer Concrete Series / Tier 15 & 22

UL Listed Product

TOP VIEW

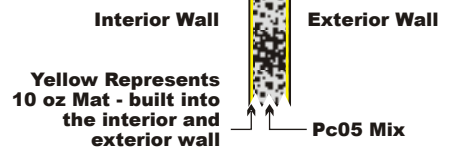


DROP IN STEEL BEAM (2" X 1" X 32")

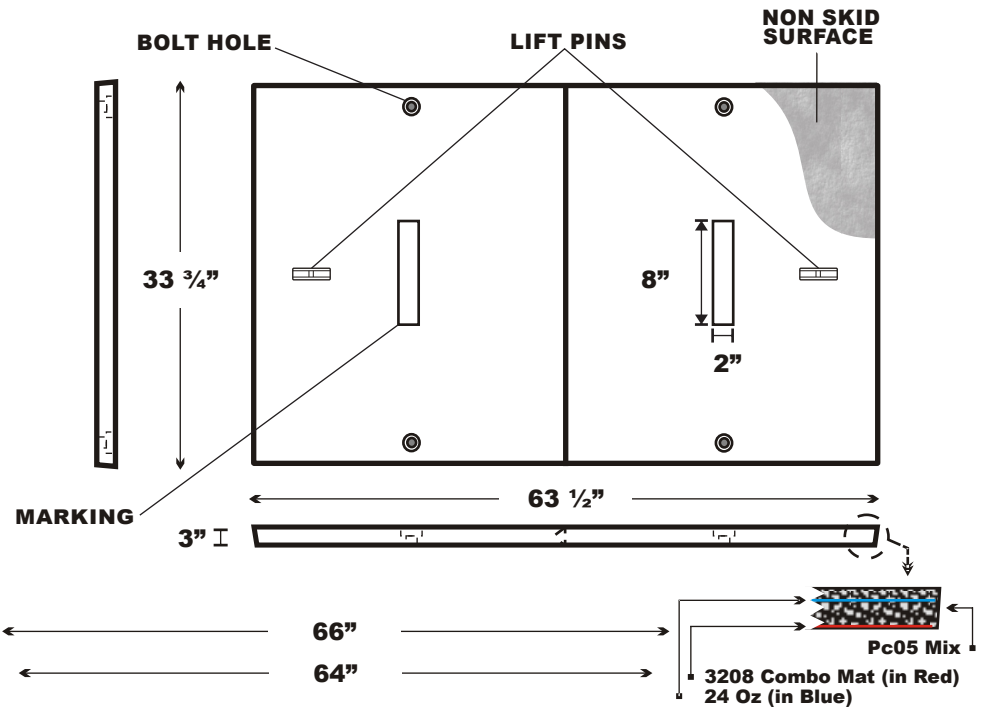


END VIEW

Cut-Away View

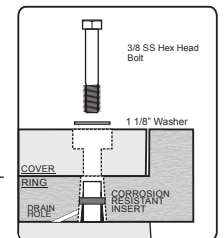


COVER VIEW







Cut-Away View

Hardware Detail



SIDE VIEW

Part No. 3060 Polymer Concrete Series				Martin Enterprises "Your Underground Enclosure Experts"	
Body: Polymer Concrete		Cover: Polymer Concrete		UL Listed Product File# E351227	
Weight: Varies	Tolerance +/- 1/8"	ANSI/SCTE 77 2013		ISO 9001:2008 Registered Firm	
October 21, 2014	File 3060 PC Series	Tier 15/22 Rated		QuEST Forum / TL9000 Registered	
This product design is the sole property of Martin Enterprises. This design is NOT to be altered unless written permission is granted by Martin Enterprises.					
			www.martinfrp.com		