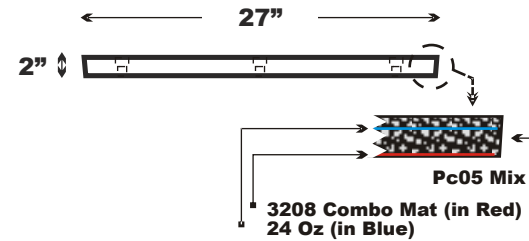
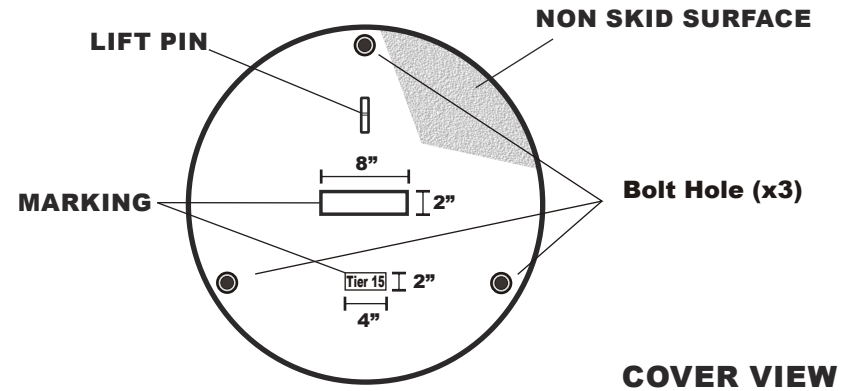
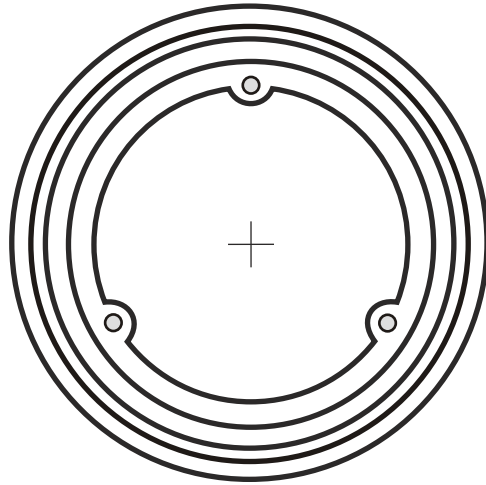
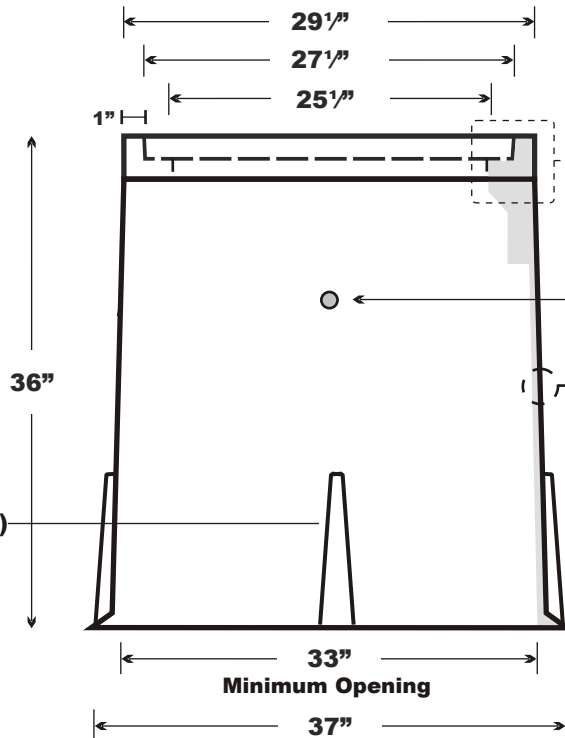


2700/36 Polymer Concrete / Tier 15

TOP VIEW



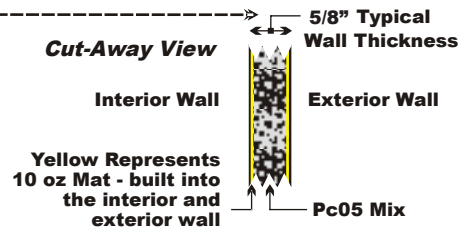
Cut-Away View



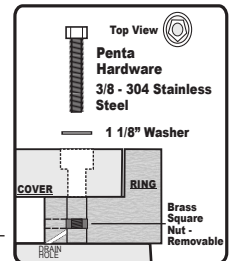
SIDE VIEW

Lifting Insert (x4)

Cut-Away View



Hardware Detail




Part No. 2700/36 Polymer Concrete		
Body: Polymer Concrete	Cover: Polymer Concrete	
Weight 435lbs.	Tolerance +/- 1/8"	ANSI/SCTE 77 2013
October 21, 2014	File 2700/36PC	Tier 15 Rated

This product design is the sole property of Martin Enterprises. This design is NOT to be altered unless written permission is granted by Martin Enterprises.



Martin Enterprises
"Your Underground Enclosure Experts"
ISO 9001:2008 Registered Firm
QuEST Forum / TL9000 Registered

HERRY JOHNSON REGISTRARS, INC.
www.martinftp.com