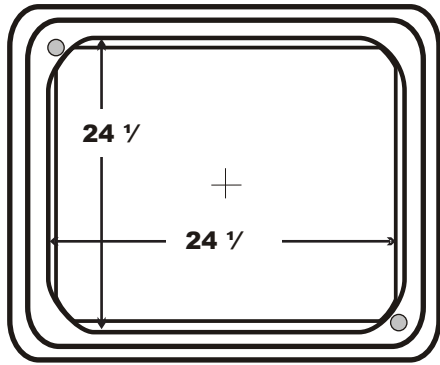
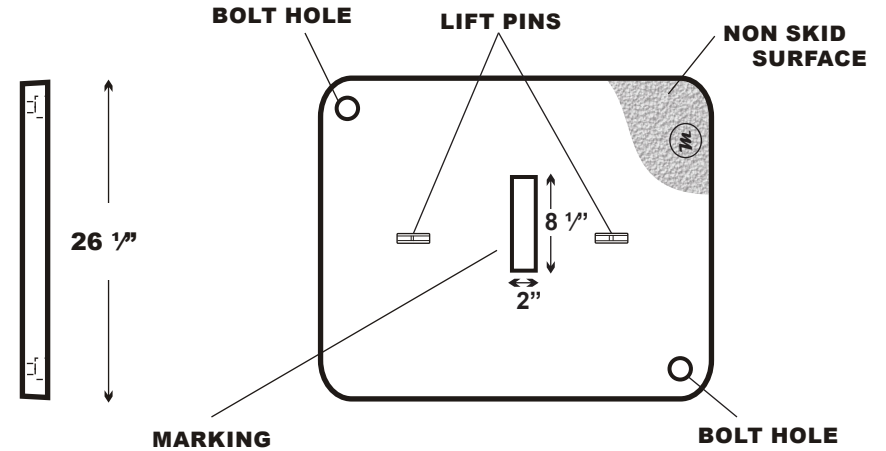


# 2424/24 Polymer Concrete / Tier 15

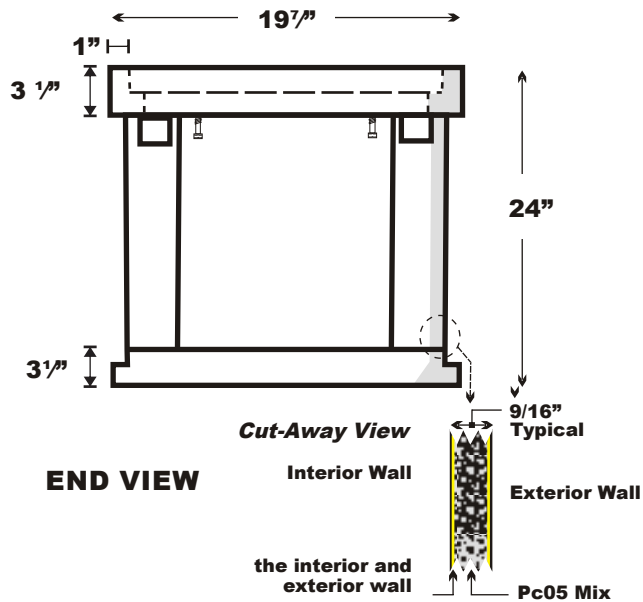
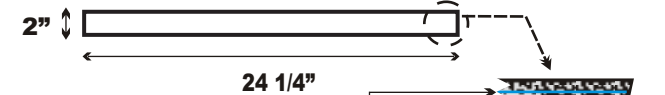
**TOP VIEW**



**COVER VIEW**



**MARKING**



**Cut-Away View**

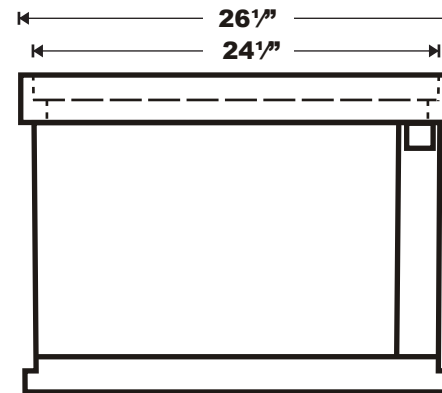
Interior Wall

Exterior Wall

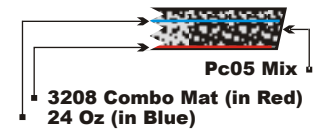
the interior and exterior wall

Pc05 Mix

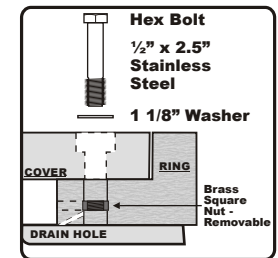
**SIDE VIEW**






**Cut-Away View**



**Hardware Detail**



<b>Part No. 2424/24 Polymer Concrete</b>				<b>Martin Enterprises</b>	
<b>Body: Polymer Concrete</b>				<i>"Your Underground Enclosure Experts"</i>	
<b>Cover: Polymer Concrete</b>			<b>ISO 9001:2008 Registered Firm</b>		
<b>Weight 220 lbs.</b>	<b>Tolerance +/- 1/8"</b>	<b>ANSI/SCTE 77 2013</b>	<b>QuEST Forum / TL9000 Reaistered</b>		
<b>October 21, 2014</b>	<b>File 2424/24 PC</b>	<b>Tier 15 Rated</b>			
<b>This product design is the sole porperty of Martin Enterprises. This design is NOT to be altered unless written premission is granted by Martin Enterprises.</b>			<b>www.martinfrp.com</b>		