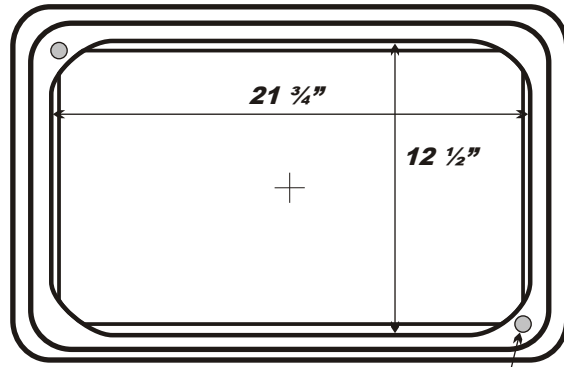


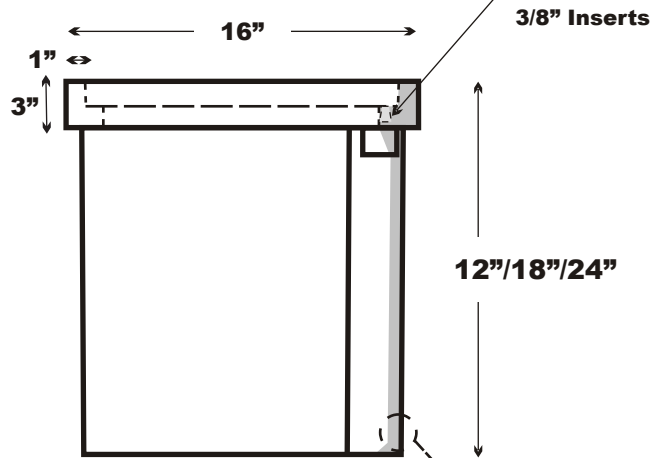
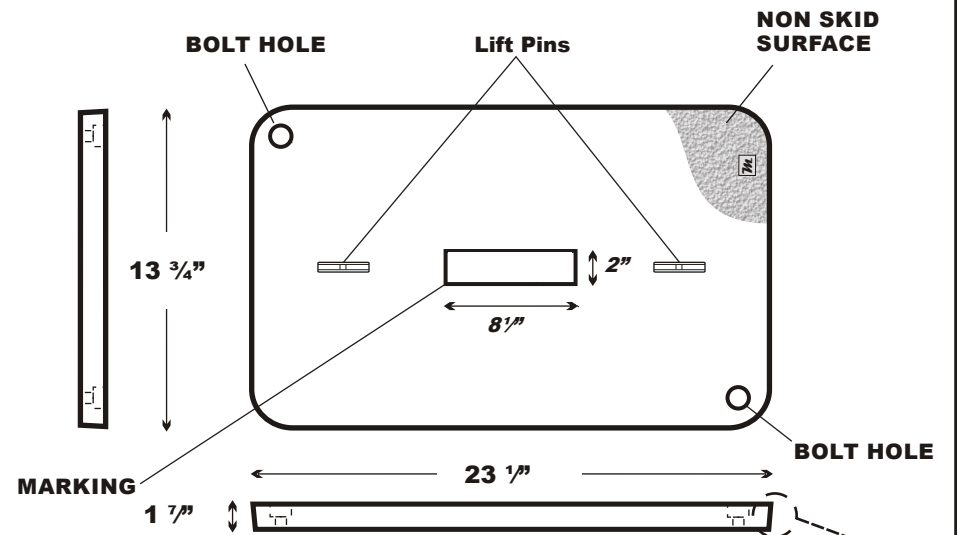
1324 Polymer Concrete Series / Tier 15 & 22

 **Listed Product**

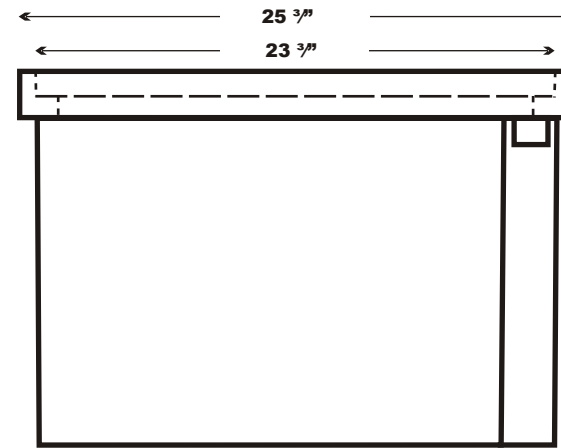
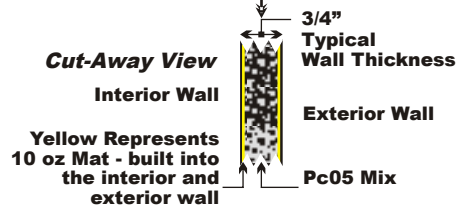
TOP VIEW



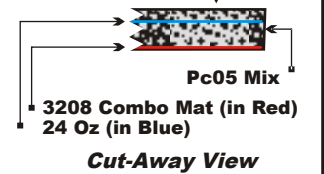
COVER VIEW



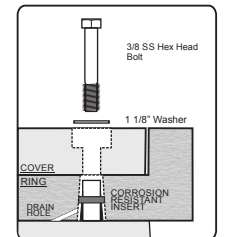
END VIEW



SIDE VIEW



Hardware Detail



Part No. 1324 Polymer Concrete Series		
Body: Polymer Concrete		Cover: Polymer Concrete
Weight 95-130 lbs.	Tolerance +/- 1/8"	ANSI/SCTE 77 2013
October 21, 2014	File 1324 PC Series	Tier 15/22 Rated
This product design is the sole property of Martin Enterprises. This design is NOT to be altered unless written permission is granted by Martin Enterprises.		



Martin Enterprises
"Your Underground Enclosure Experts"

UL Listed Product File# E351227
ISO 9001:2008 Registered Firm
QuEST Forum / TL9000 Registered



www.martinfrp.com