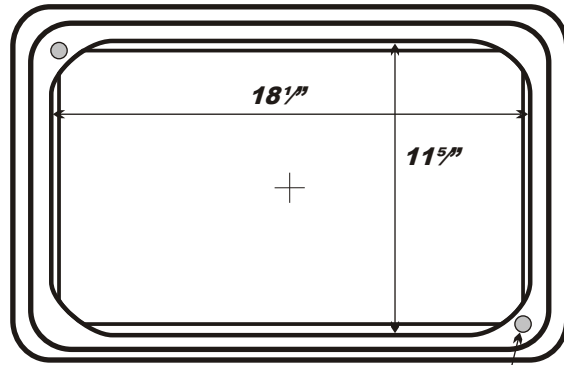
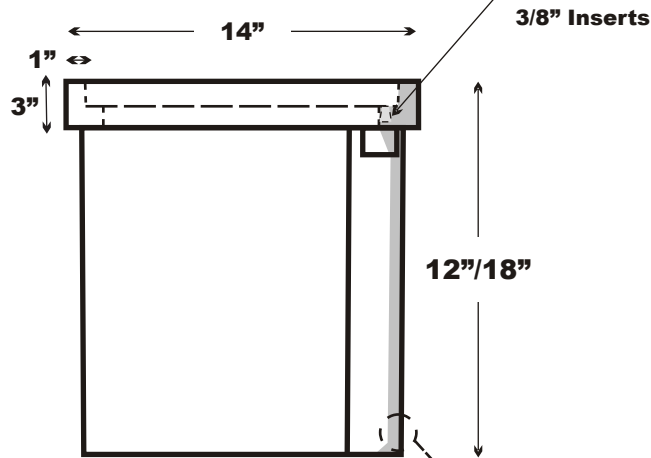
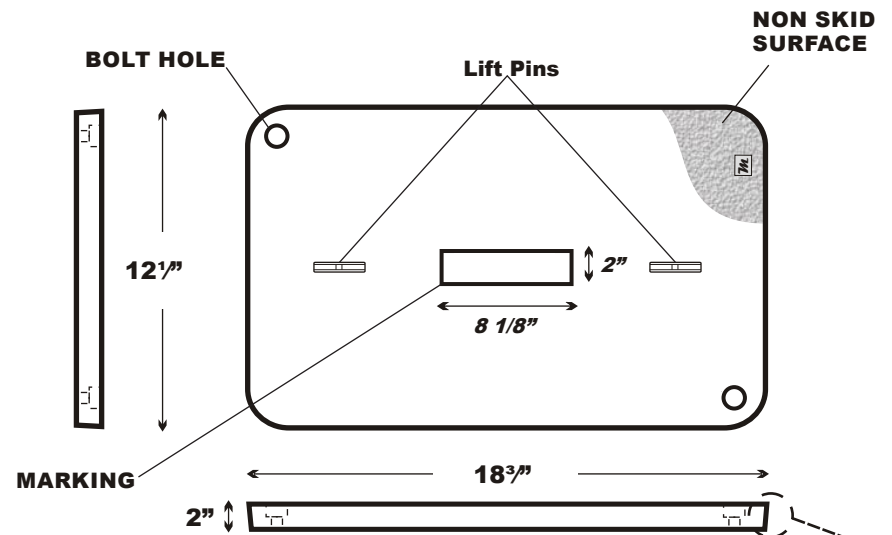


1118 Polymer Concrete Series / Tier 15

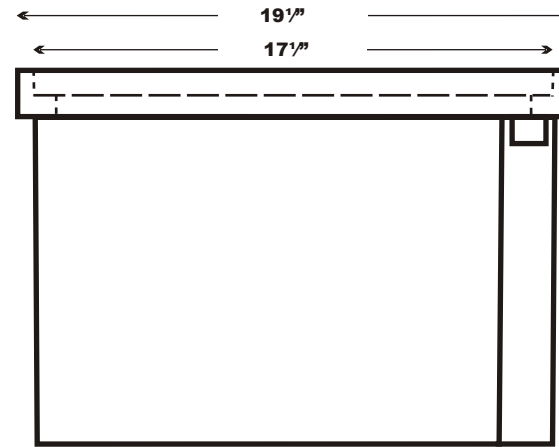
TOP VIEW



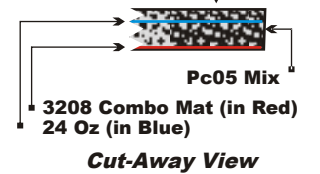
COVER VIEW



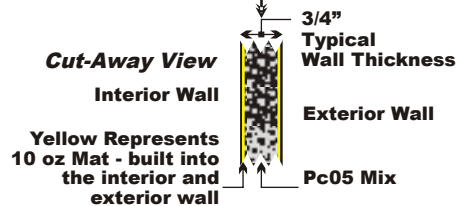
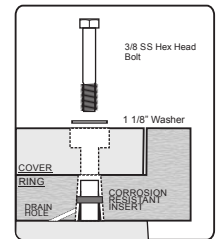
END VIEW



SIDE VIEW



Hardware Detail



Part No. 1118 Polymer Concrete Series

Body: Polymer Concrete Cover: Polymer Concrete

Weight 50-60 lbs. Tolerance +/- 1/8" ANSI/SCTE 77 2013

October 21, 2014 File 1118 PC Series Tier 15 Rated

This product design is the sole property of Martin Enterprises. This design is NOT to be altered unless written permission is granted by Martin Enterprises.



Martin Enterprises

"Your Underground Enclosure Experts"
 ISO 9001:2008 Registered Firm
 QuEST Forum / TL9000 Registered



www.martinfrp.com